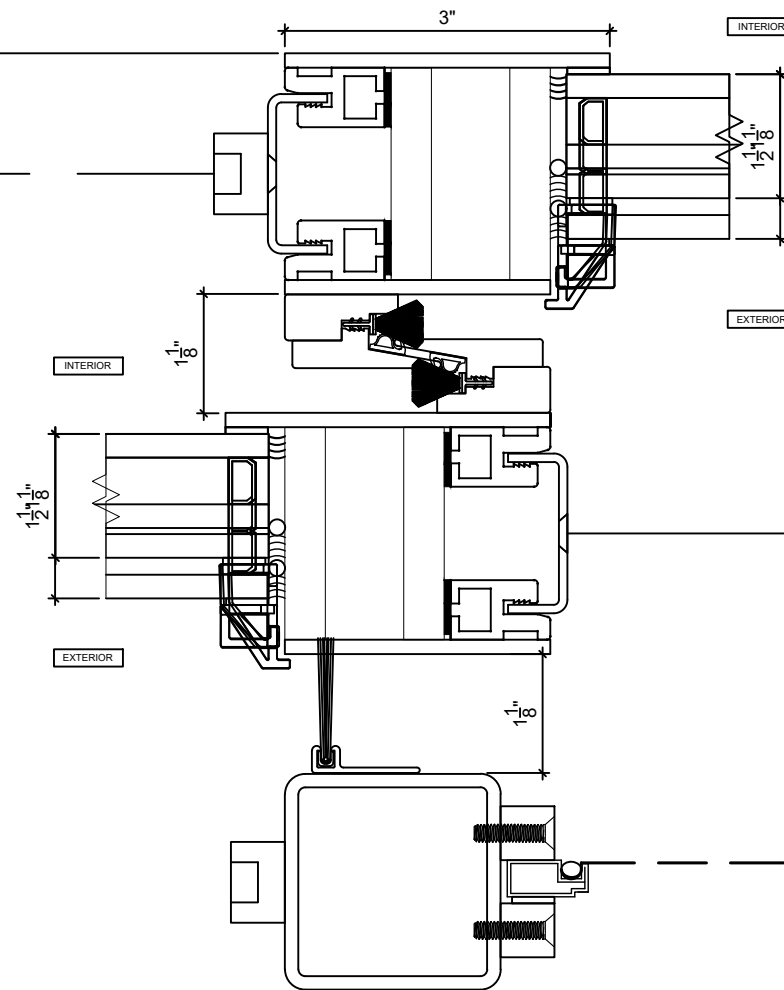
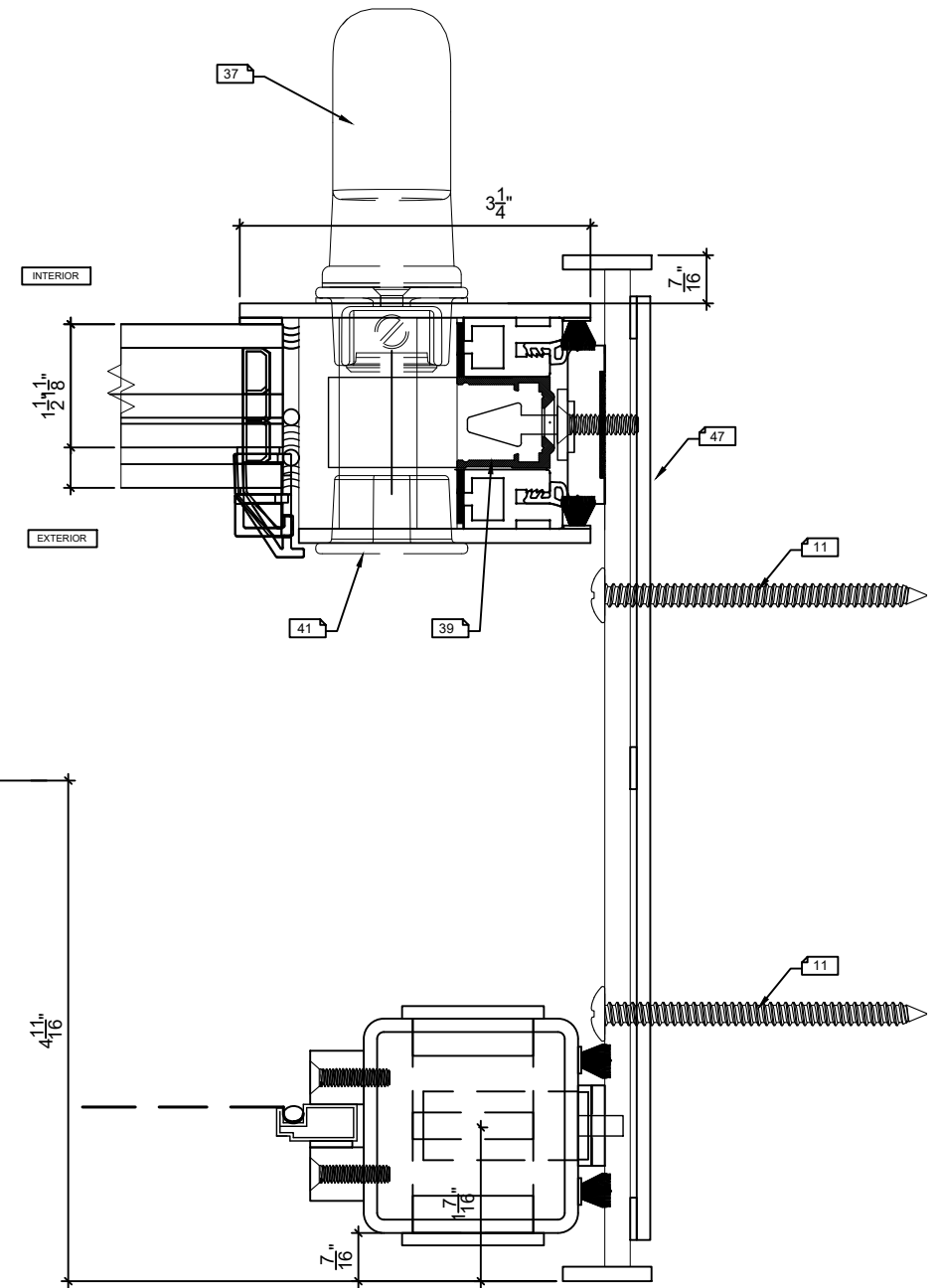


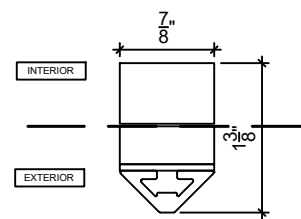
211 / L&S JAMB
(FIXED DOOR)
(WITH SCREEN)



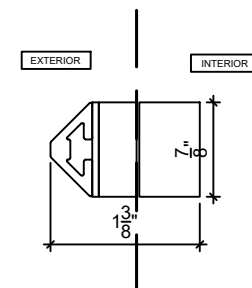
212 / L&S MEETING STILES
(ACTIVE TO FIXED)
(WITH SCREEN)



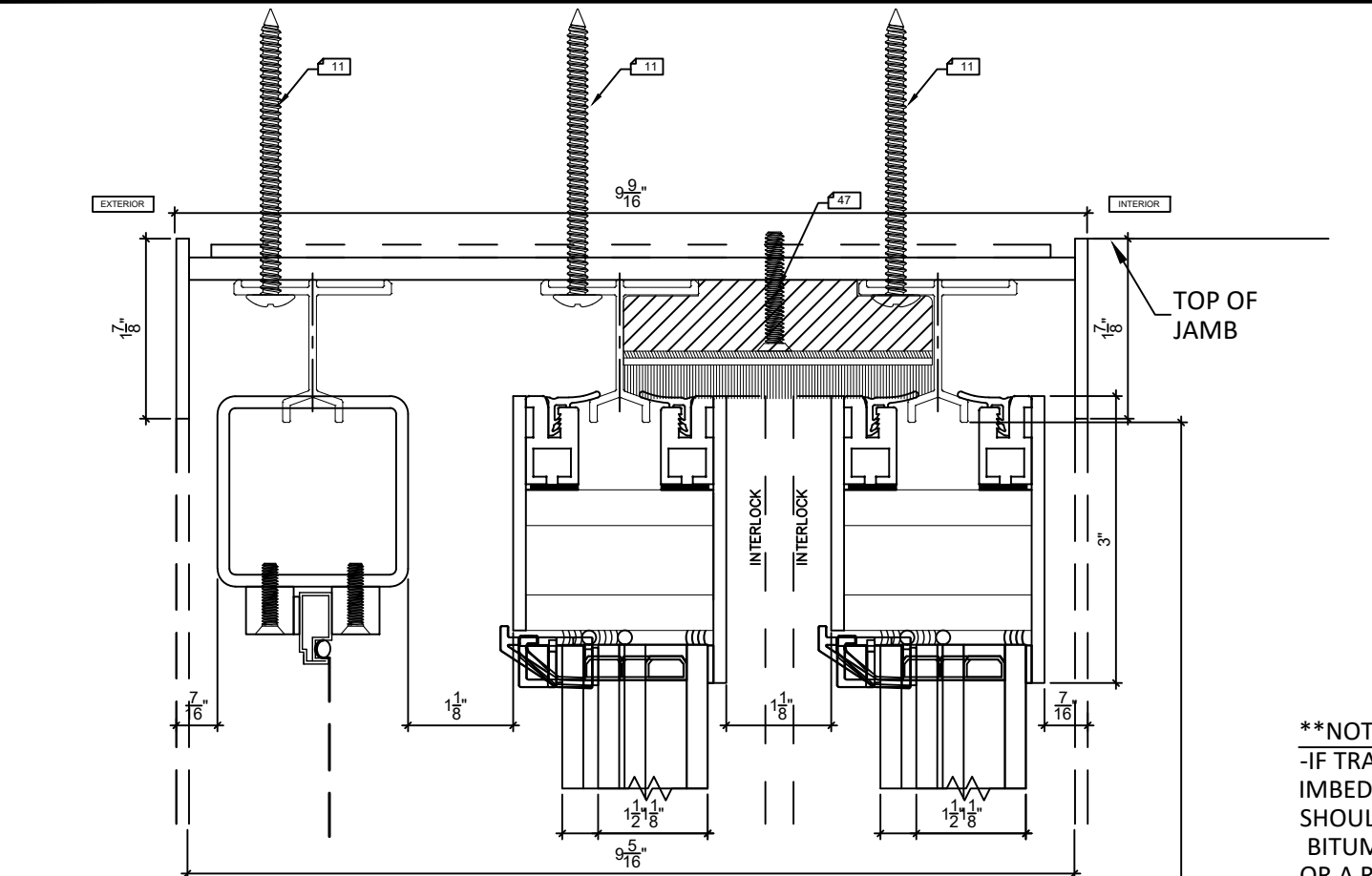
213 / L&S JAMB
(ACTIVE DOOR)
(WITH SCREEN)



212 / L&S SCREEN SDL

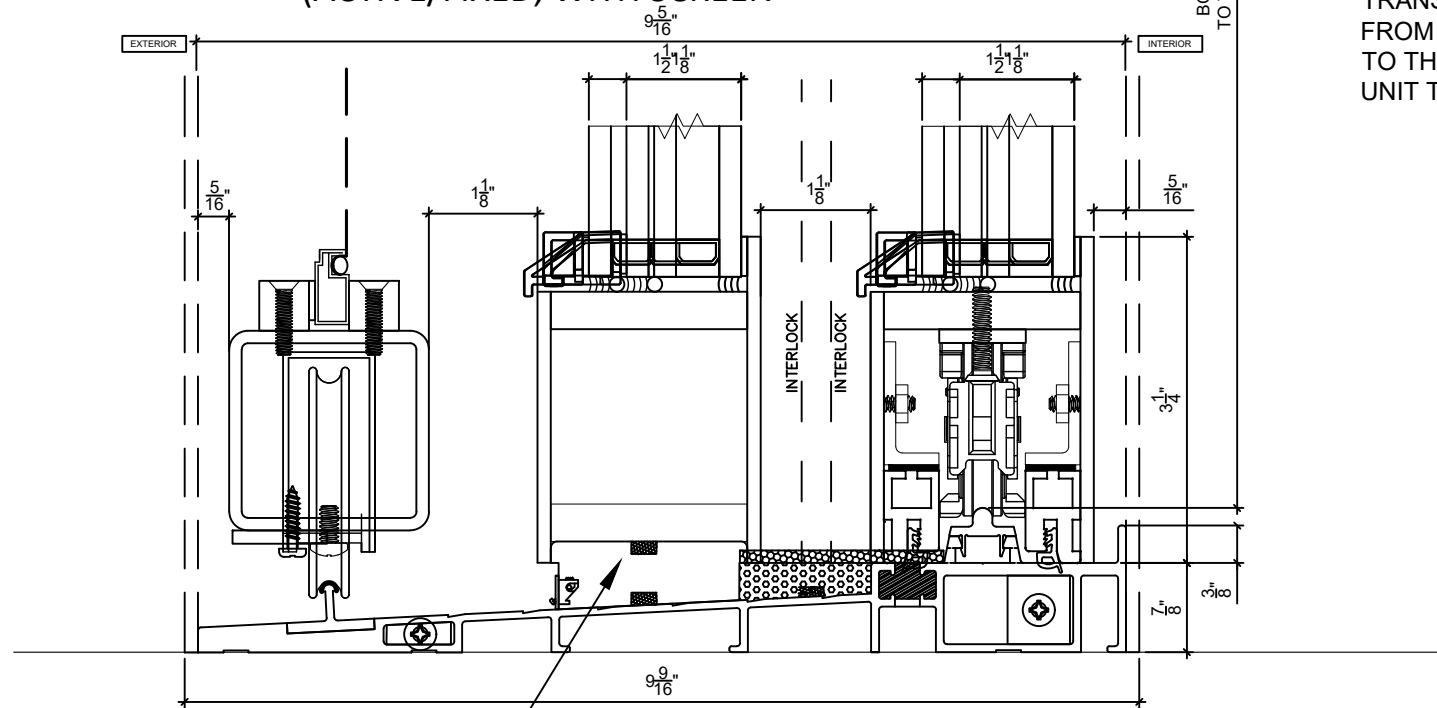


212 / L&S SCREEN SDL



214 / L&S HEADER
(ACTIVE/FIXED, WITH SCREEN)

215 / L&S THERMALLY BROKEN SILL
(ACTIVE/FIXED, WITH SCREEN)



FIELD INSTALL.
INCLUDE SILICONE

dimension for
BOTTOM OF TOP TRACK
TO TOP OF BOTTOM TRACK

****NOTE****

-IF TRACK ASSEMBLY WILL BE IMBEDDED IN CONCRETE IT SHOULD BE COATED WITH C.R. LAURENCE CO. BITUMINOUS COATING #BC5GL OR #BC17A OR A RECOMMENDED COATING FOR YOUR PARTICULAR APPLICATION

-SLIDER UNITS ARE NOT DESIGNED TO CARRY ANY LOAD FROM ABOVE. WE SUGGEST THE USE OF STEEL BOLTS OR OTHER MECHANICAL MEANS TO INSTALL TRANSOM UNITS SUSPENDING THE WEIGHT FROM ABOVE, THUS ELIMINATING ANY LOAD TO THE HEADER OF THE SLIDER UNIT TO PREVENT SAGGING.