

## Testing Evaluation Laboratories, Inc.

2002 Wood Court Suite 1 – Plant City, FL 33563  
Phone: 813-754-9887 Fax: 813-754-9989

### Test Report Issued To

Arcadia Custom  
9280 East Old Vail Road  
Tucson, AZ 85747  
Telephone: 520.284.2070

### Report Number

TEL 2004-05-18-015

### Test Date

April 21, 2004

### Date Report Re-Issued

February 10, 2006

### Model Designation

Inswing Glazed 1 3/4" Thick 6'0 x 8'0 Full -Lite Wood Door

### Reference Specifications

ASTM E330, E283

### Summary of Results

#### ASTM E 330

Specimen 1

6'0 x 8'0 Inswing Glazed Full-Lite Wood Door

#### Design Pressures:

+35.0 psf -40.0 psf

**AIR LEAKAGE** – Conducted in accordance with ASTM E283

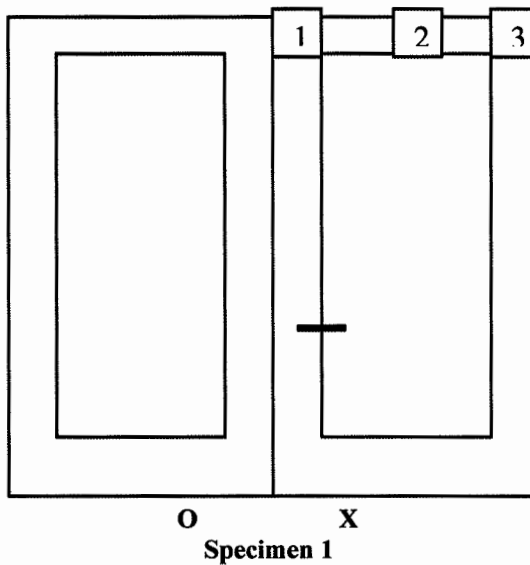
Specimen	Differential Test Pressure	Actual CFM / SQ FT
1	1.57 PSF	0.23

**STATIC AIR PRESSURE TESTS** – Conducted in accordance with ASTM E330

Specimen 1                      Design Loads                      +35.0 psf – 40.0 psf

Direction Load Applied	Design Load @ 35.0 PSF	Test Load @ 52.5 PSF	Deflection @ Test Load	Actual Permanent Set @ Test Load
			Loc. 2	Loc. 2
Positive	40 Seconds	10 Seconds	1.857 in.	0.094 in.

Direction Load Applied	Design Load @ 40.0 PSF	Test Load @ 60.0 PSF	Deflection @ Test Load	Actual Permanent Set @ Test Load
			Loc. 2	Loc. 2
Negative	40 Seconds	10 Seconds	1.327 in.	0.002 in.



**Specimen 1**

Deflection and Permanent set was measured with three (3) Mitutoyo Digital Indicators located at positions as indicated on Specimen 1.

## **Product Description:**

### **Overall Size:**

All Specimens Full-Lite Double Cedar Doors 74.00" wide x 97.75" high x 4.625" deep

### **Configuration:**

Specimen 1 OX

### **Active Panel Size:**

All Specimens 36.00" wide x 96.00" high x 1.75" thick

### **Inactive Panel Size:**

All Specimens 36.00" wide x 96.00" high x 1.75" thick

### **Daylight Opening:**

All Specimens 25.375" wide x 81.75" high

## **MATERIAL CHARACTERISTICS:**

### **Frame and Door Material:**

The door jambs are constructed from cedar. The door panels are constructed of cedar.

### **Frame Construction:**

The frame consists of (1) hinge jambs, (1) latch jamb and a head jamb constructed from cedar. The jambs are 4.625" deep and kerfed for weather-strip. The jambs are mortised, butted and joined using (4) 0.50" x 2.0" 16 gauge wire staples at each side. The hinge jamb is mortised to receive three 4.5" x 4.5" template hinges. The threshold is an inswing saddle threshold.

### **Panel Construction:**

The door panel is a cedar stile and rail construction consisting of a top rail (5.154") and bottom rail (8.0625") with a 1.75" nominal thickness. The latch stiles are 5.2535" wide and hinge stiles are 5.0485" wide. The stiles are joined to the top rail with (3) 0.50" diameter x 4.25" long wood dowels. The stiles are joined to the bottom rail with (4) 0.50" diameter x 4.25" long wood dowels. The inactive panel was affixed with a cedar astragal.

### **Glazing:**

The door is glazed with 0.625" insulated glass consisting of two (2) 0.125" pieces of tempered glass with a 0.375" air space. The glass is wet glazed using Pecora 896 glazing compound and stopped with 0.375" x 0.50" wood glazing stop and secured with 16 gauge 1.0" brads spaced 2.0" from each corner and maximum 4.0" on center. The glass bite is 0.7565".

### **Weather-stripping:**

All Specimens:

Four (4) Pieces of QDS 650 by Schlegel. One each at head, astragal and side jambs.  
(2) Door Bottom Sweeps

**Hardware:**

Six (6) 4.5" x 4.5" template hinges.  
Three-point locking device by WF.  
Surface Bolts by Arcadia Custom located at top and bottom of latch stile, inactive door.

**Weepholes:**

None

**Muntins:**

NA

**Reinforcement:**

NA

**Sealant:**

Latex caulking as needed to seal jamb to the test buck.

**Additional Description:**

Specimens were installed in wood test bucks.

**Screws and method of Attachment:**

Twenty-four (24) #10 x 2-1/2" Sheet Metal Screws, See Drawing #L-2441, Sheet 1 of 1

**Drawings Attached:**

Client Laboratory Drawing # DR8-DP-TEST 72x96 DWG, Sheets 1 through 4 of 4  
Anchor Location Drawing #L-2441, Sheet 1 of 1

**Conditions, Terms, and General Notes Regarding These Tests**

The product tested **Has Been** compared to the detailed drawing, bill of materials and fabrication information supplied by the client so named herein. Our analysis, which includes dimensional and component description comparisons, indicate the tested product and engineering information supplied by the client **"Are Equivalent"**.

The report and representative samples will be retained for four years from the date of initial test.

These test results were obtained by employing all requirements of the of the designated test methods with no deviations. The test results and specimen supplied for testing are in compliance with the reference.

The test results are specific to the product tested by this laboratory and of the sample supplied by the client named herein, and they relate to no other product either manufactured by the client, a fabricator of the client or of installed field performance.

This test report does not constitute certification of this product, but only that the above test results were obtained using the designated test methods and they indicate compliance with the performance requirements (paragraphs as listed) of the above referenced specifications.

Testing Evaluation Laboratories, Inc. makes no opinions or endorsements regarding this product and its performance. This report may not be reproduced or quoted in partial form without the expressed written approval of Testing Evaluation Laboratories, Inc.

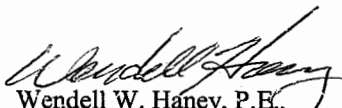
Testing Evaluation Laboratories, Inc.'s letter, reports, its name or insignia or mark are for the exclusive use of the client so named herein and any other use is strictly prohibited. The report, letters and the name of Testing Evaluation Laboratories, Inc., its seal or mark shall not be used in any circumstance to the general public or in any advertising.

Limitation of liability: Due diligence was used in rendering this professional opinion. By acceptance of this report, this client agrees to hold harmless and indemnify Testing Evaluation Laboratories, Inc., its employees and officers and owners against all claims and demands of any kind whatsoever, which arise out of or in any manner connected with the performance of work referred to herein.

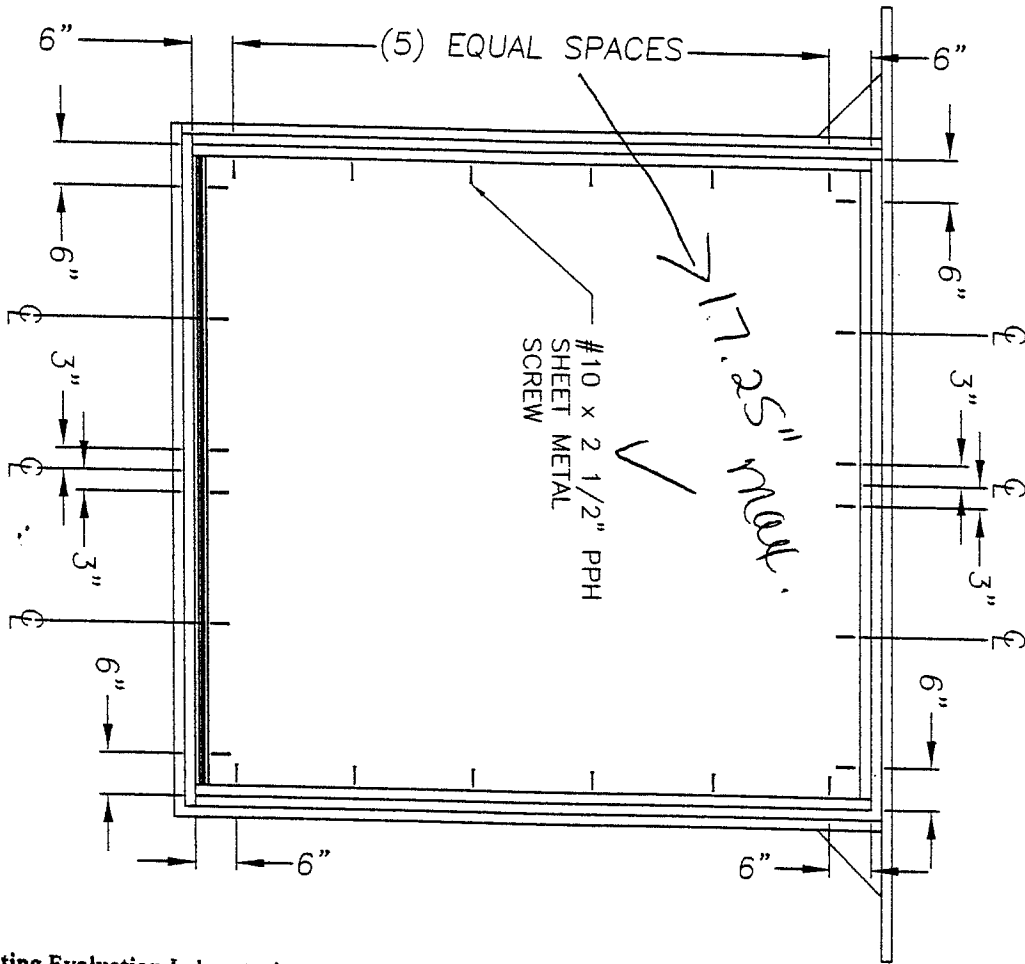
Testing Evaluation Laboratories, Inc.



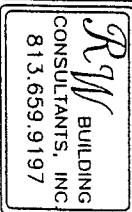
Vivian K. Wright,  
President

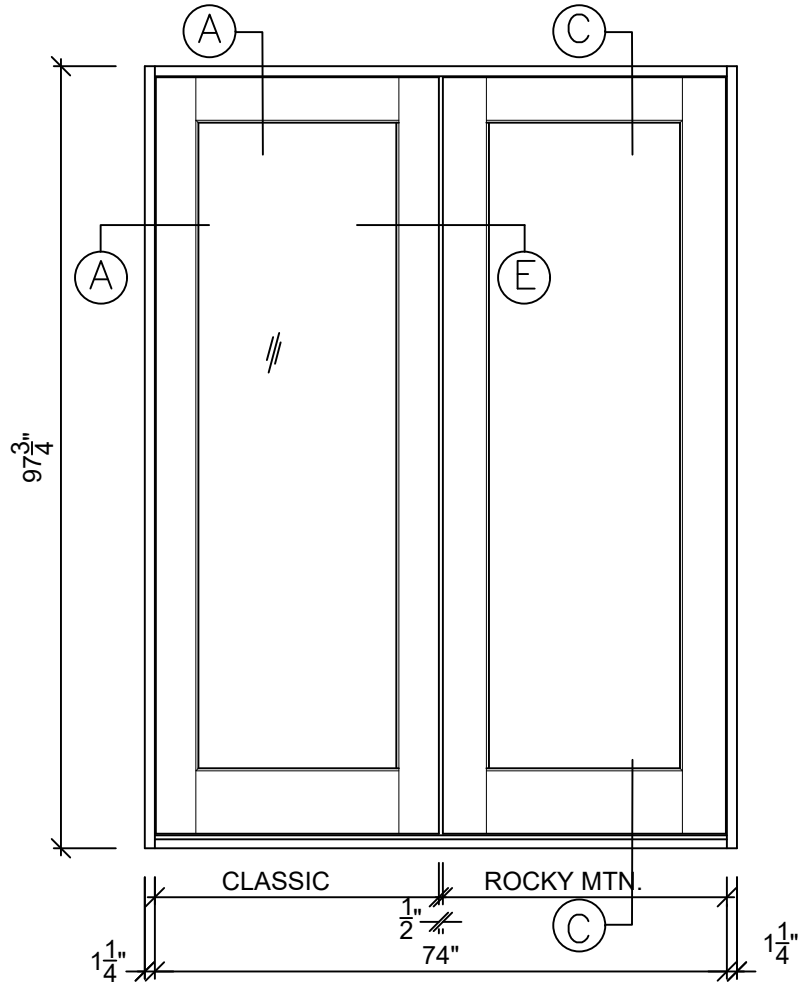


Wendell W. Haney, P.E.,  
Florida P.E. Number 54158  
2-10-06

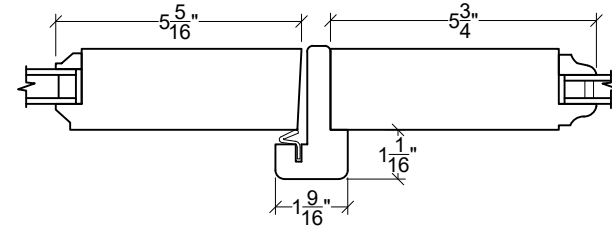


Testing Evaluation Laboratories Inc  
 Specimen Complies with Drawing  
 Deviations Noted - TEL # 2004-05-18-015  
 Date 5/18/04 Verified by WKEW

DATE: SCALE: N.T.S. DWG. BY: EW CHK. BY: RW DRAWING NO.: L-2441 SHEET 1 OF 1		PRODUCT: DBA ARCADIA CUSTOM ARCHITECTURAL TRADITIONS 6'0 X 8'0 DOUBLE DOOR	
		PART OR ASSEMBLY: ANCHORING LOCATIONS	
NO.	DATE	BY	REVISIONS



DOOR & FRAME - 8 ELEVATION  
 SCALE: 1/2" = 1'-0"



DETAIL - E  
 SCALE: NTS

DOOR 8 FOR DP TESTING  
 72" X 96" 1 LITE DOOR PAIR -- CEDAR  
 ELEVATIONS & DETAILS

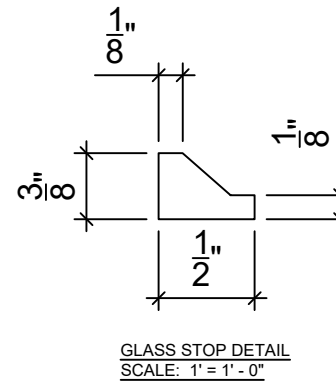
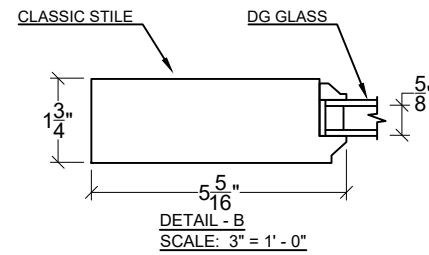
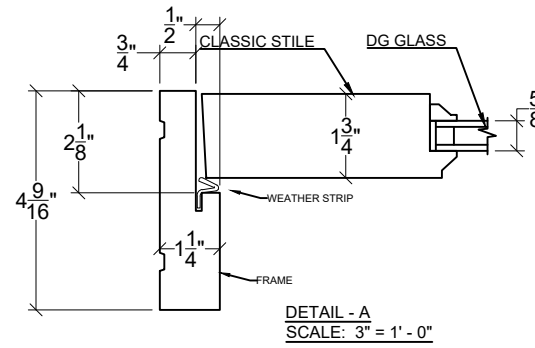
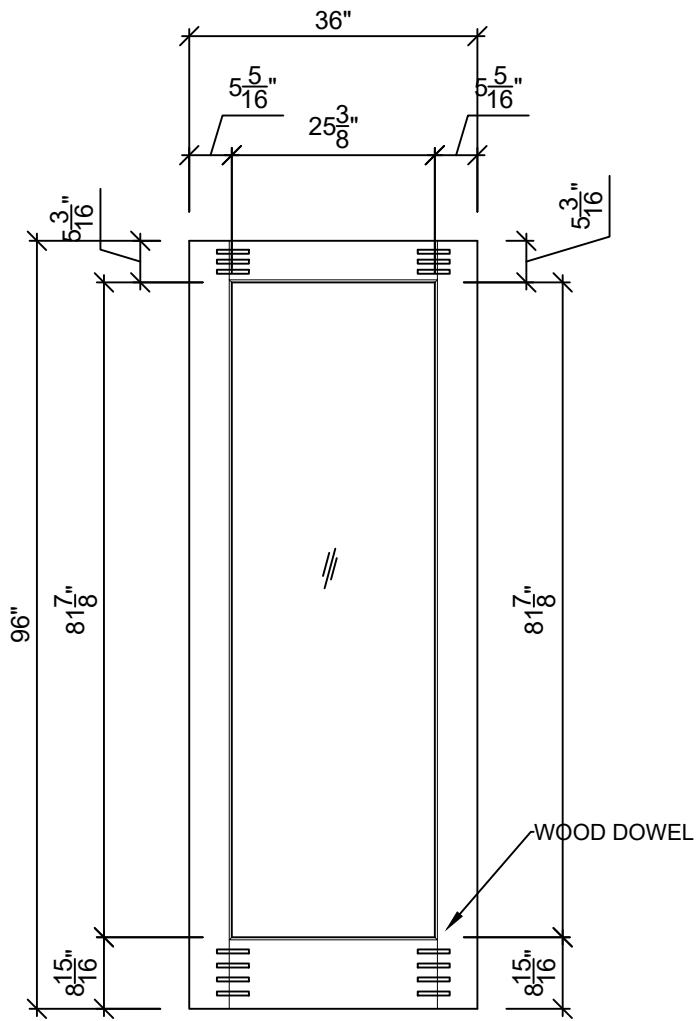
**arcadia** CUSTOM  
 WINDOW AND DOOR SOLUTIONS  
 STEEL - ALUMINUM - WOOD

9280 E. OLD VAIL RD.  
 TUCSON, AZ 85747  
 TEL: (520) 284-2070  
 FAX: (520) 299-1638

ITEM	QTY	P/N	DESC.	REMARKS
17	AQ	WHR STRIP-10	WEATHER STRIP	--
16	1	PAMP-FD	--	--
15	1	P2MP-MFP	--	--
14	1	MORTISE	BATON	--
13	1	LATCH	--	--
12	1	DEADBOLT	CYLINDRICAL LOCK	--
11	10	SPACER	GLASS SPACERS	--
10	1	PAD CORNERS	ENDURA CORNER PADS	--
9	1	5008	TITE BOND II PREMIUM WOOD GLUE	--
8	1	1-0-1211	HEAD & SILL STRIKES W&F	--
7	14	3000-1-1058	8'RH TRIENNIIUM LOCK W&F	--
6	1	216DFG	SWEEP 1 3/4"	PEMKO
5	1	95518DW	ADJ. INSWING SILL SF	PEMKO
4	3	4 1/2" HINGE	BUTT HINGE 4 1/2"	
3	1	896 GLAZE	PECORA 896 GLAZE	
2	8	8X2 1/2"SCW	PHILLIPS GOLD SCRW	
1	14	DOWEL 4.25"	FREIDMAN 4.25" DOWEL	
BILL OF MATERIALS				

DRAWING NUMBER:

**8.01**



Submittal: 01  
Revision: 00  
Date: 01/28/04

DOOR 8 FOR DP TESTING  
72" X 96" 1 LITE DOOR PAIR -- CEDAR  
ELEVATIONS & DETAILS

**arcadia** CUSTOM  
WINDOW AND DOOR SOLUTIONS  
STEEL - ALUMINUM - WOOD

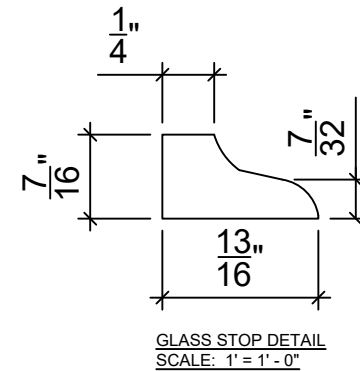
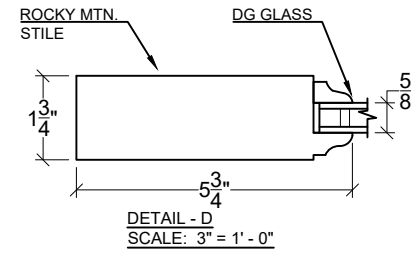
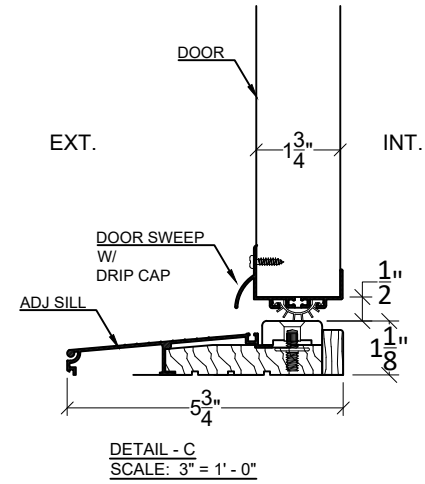
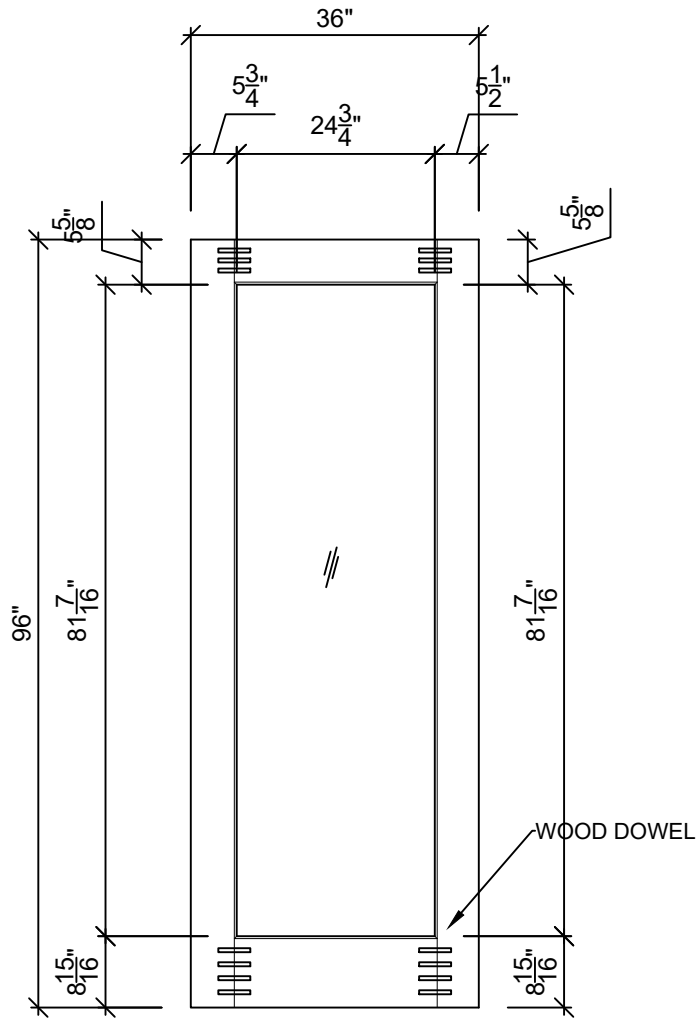
9280 E. OLD VAIL RD.  
TUCSON, AZ 85747  
TEL: (520) 284-2070  
FAX: (520) 299-1638

DRAWING NUMBER:

8.02



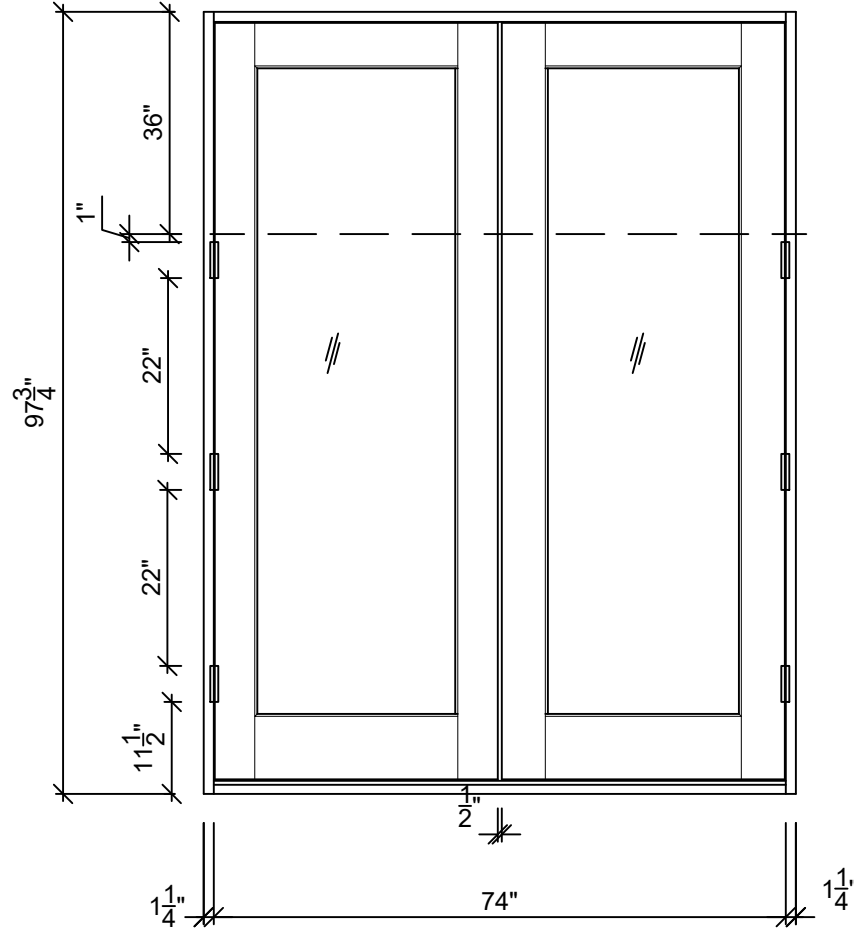
DOOR 8 FOR DP TESTING  
 72" X 96" 1 LITE DOOR PAIR -- CEDAR  
 ELEVATIONS & DETAILS



9280 E. OLD VAIL RD.  
 TUCSON, AZ 85747  
 TEL: (520) 284-2070  
 FAX: (520) 299-1638

DRAWING NUMBER:

8.03



DOOR & FRAME - 8 ELEVATION  
SCALE: 1/2" = 1' - 0"

DOOR 8 FOR DP TESTING  
72" X 96" 1 LITE DOOR PAIR -- CEDAR  
ELEVATIONS & DETAILS

**arcadia** C U S T O M  
WINDOW AND DOOR SOLUTIONS  
STEEL - ALUMINUM - WOOD

9280 E. OLD VAIL RD.  
TUCSON, AZ 85747  
TEL: (520) 284-2070  
FAX: (520) 299-1638

DRAWING NUMBER:

**8.04**