



## Testing Evaluation Laboratories, Inc.

2002 Wood Court Suite 1 – Plant City, FL 33563  
Phone: 813-754-9887 Fax: 813-754-9989

### Test Report Issued To

Arcadia Custom  
9280 East Old Vail Road  
Tucson, AZ 85747  
Telephone: 520.284.2070

### Report Number

TEL 2004-05-18-008

### Test Date

March 12, 2004

### Date Report Re-Issued

February 10, 2006

### Model Designation

Glazed 1.75" Thick 3'0 x 10'0 Full -Lite Wood Door

### Reference Specifications

ASTM E330

### Summary of Results

#### ASTM E 330

Specimen 1

3'0 x 10'0 Glazed Full-Lite Wood Door

#### Design Pressures:

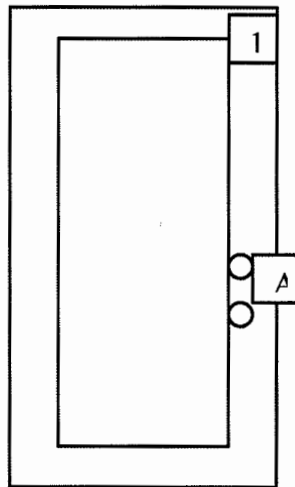
+40.0 psf -47.0 psf

**STATIC AIR PRESSURE TESTS** – Conducted in accordance with ASTM E330

**Specimen 1**                      **Design Loads**                      **+40.0 psf – 47.0 psf**

Direction Load Applied	Design Load @ 40.0 PSF	Test Load @ 60.0 PSF	Deflection @ Test Load	Actual Permanent Set @ Test Load
			Loc. 1	Loc. 1
Positive	40 Seconds	10 Seconds	4.816 in.	0.069 in.

Direction Load Applied	Design Load @ 35.0 PSF	Test Load @ 52.5 PSF	Deflection @ Test Load	Actual Permanent Set @ Test Load
			Loc. 1	Loc. 1
Negative	40 Seconds	10 Seconds	0.054 in.	0.014 in.



**X**  
**Specimen 1**

**Specimen 1**

Deflection and Permanent set was measured with two (2) Mitutoyo Digital Indicators located at positions as indicated on Specimen 1.

**Product Description:**

**Overall Size:**

Specimen 1	Full-Lite Single Cedar Doors	37.5" wide x 121.75" high x 4.625" deep
------------	------------------------------	---

**Configuration:**

Specimen 1	X
------------	---

**Active Panel Size:**

Specimen 1	36.00" wide x 120.00" high x 1.75" thick
------------	--

**Daylight Opening:**

Specimen 1	25.375" wide x 105.875" high
------------	------------------------------

**MATERIAL CHARACTERISTICS:**

**Frame and Door Material:**

The door jambs are constructed from cedar . The door panels are constructed of cedar.

**Frame Construction:**

The frame consists of (1) hinge jamb, (1) latch jamb and a head jamb constructed from cedar. The jambs are 4.625" deep and kerfed for weather-strip. The jambs are mortised, butted and joined using (4) 0.50" x 2.0" 16 gauge wire staples at each side. The hinge jamb is mortised to receive four (4) 4.5" x 4.5" template hinges. The threshold is an inswing saddle threshold.

**Panel Construction:**

The door panel is a cedar stile and rail construction consisting of a top rail (5.154") and bottom rail (8.0625") with a 1.75" nominal thickness, The latch stiles are 5.2535" wide and hinge stiles are 5.0485" wide. The stiles are joined to the top rail with (3) 0.50" diameter x 4.25" long wood dowels. The stiles are joined to the bottom rail with (4) 0.50" diameter x 4.25" long wood dowels. The inactive panel was affixed with a cedar astragal.

**Glazing:**

The door is glazed with 0.75" insulated glass consisting of two (2) 0.1875" pieces of tempered glass with a 0.375" air space. The glass is wet glazed using Pecora 896 glazing compound and stopped with 0.375" x 0.50" wood glazing stop and secured with 16 gauge 1.0" brads spaced 2.0" from each corner and maximum 4.0" on center. The glass bite is 0.48".

**Weather-stripping:**

All Specimens:

Three (3) Pieces of QDS 650 by Schlegel. One each at head and side jambs.  
Door Bottom Sweep

**Hardware:**

Four (4) 4.5" x 4.5" template hinges.  
Mortise lock and deadbolt by Baton.

**Weepholes:**

None

**Muntins:**

NA

**Reinforcement:**

NA

**Sealant:**

Latex caulking as needed to seal jamb to the test buck.

**Additional Description:**

Specimens were installed in wood test bucks.

**Screws and method of Attachment:**

Sixteen (16) #10 x 2- 1/2" Sheet Metal Screws, See Drawing #L-2440, Sheet 1 of 1.

**Drawings Attached:**

Client Laboratory Drawing #DR15-DP-Test 36 x 120 DWG, Sheets 1 through 4 of 4  
Anchor Location Drawing #L-2440, Sheet 1 of 1

**Conditions, Terms, and General Notes Regarding These Tests**

The product tested **Has Been** compared to the detailed drawing, bill of materials and fabrication information supplied by the client so named herein. Our analysis, which includes dimensional and component description comparisons, indicate the tested product and engineering information supplied by the client **"Are Equivalent"**.

The report and representative samples will be retained for four years from the date of initial test.

These test results were obtained by employing all requirements of the of the designated test methods with no deviations. The test results and specimen supplied for testing are in compliance with the reference.

The test results are specific to the product tested by this laboratory and of the sample supplied by the client named herein, and they relate to no other product either manufactured by the client, a fabricator of the client or of installed field performance.

This test report does not constitute certification of this product, but only that the above test results were obtained using the designated test methods and they indicate compliance with the performance requirements (paragraphs as listed) of the above referenced specifications.

Testing Evaluation Laboratories, Inc. makes no opinions or endorsements regarding this product and its performance. This report may not be reproduced or quoted in partial form without the expressed written approval of Testing Evaluation Laboratories, Inc.

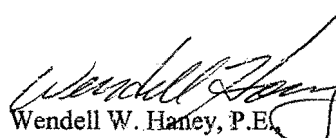
Testing Evaluation Laboratories, Inc.'s letter, reports, its name or insignia or mark are for the exclusive use of the client so named herein and any other use is strictly prohibited. The report, letters and the name of Testing Evaluation Laboratories, Inc., its seal or mark shall not be used in any circumstance to the general public or in any advertising.

Limitation of liability: Due diligence was used in rendering this professional opinion. By acceptance of this report, this client agrees to hold harmless and indemnify Testing Evaluation Laboratories, Inc., its employees and officers and owners against all claims and demands of any kind whatsoever, which arise out of or in any manner connected with the performance of work referred to herein.

Testing Evaluation Laboratories, Inc.



Vivian K. Wright,  
President



Wendell W. Haney, P.E.  
Florida P.E. Number 54158

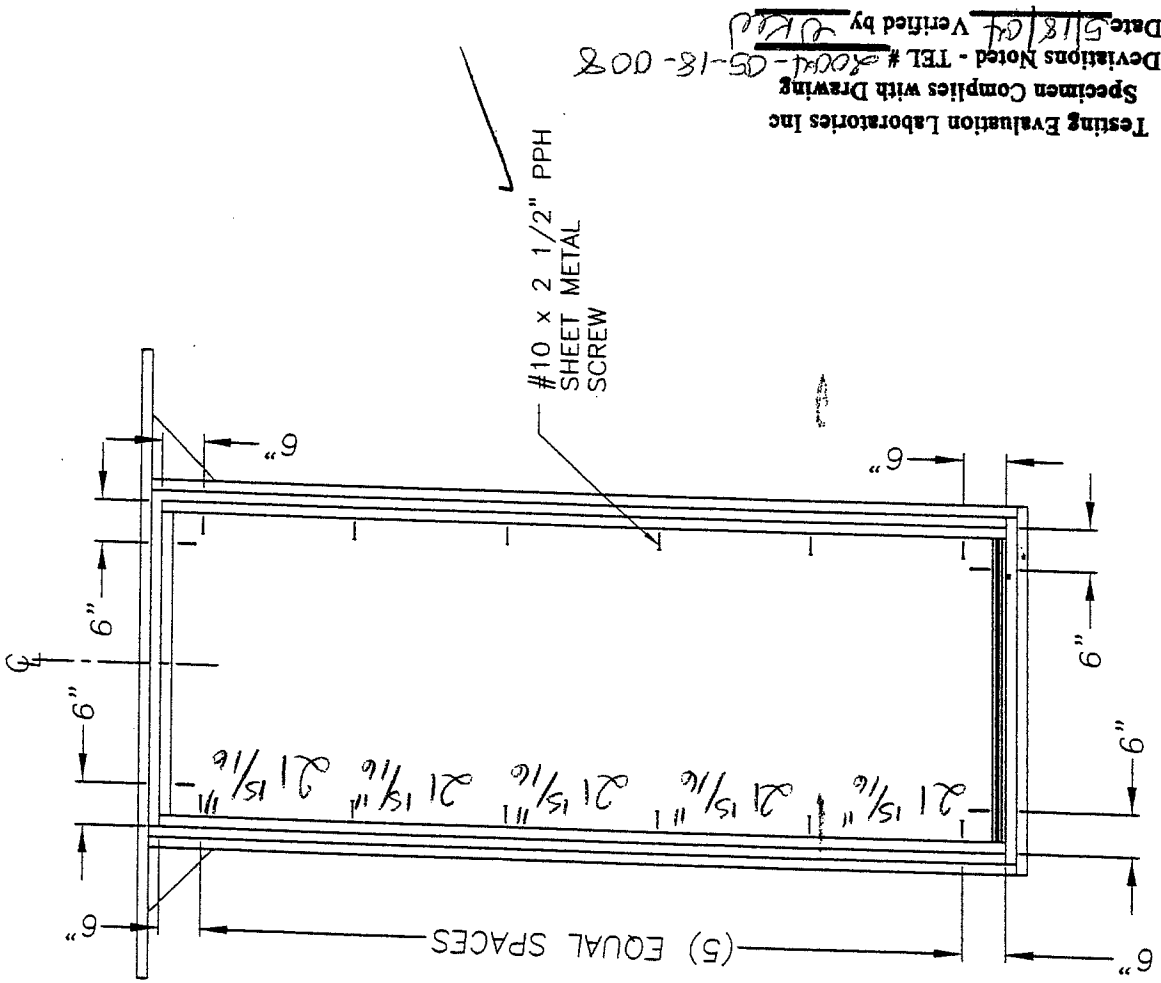
2-10-06

PART OR ASSEMBLY: ANCHORING LOCATIONS	REVISIONS	
	NO	DATE
PRODUCT: ARCHITECTURAL TRADITIONS 3'0" X 10'0" SINGLE DOOR	BY	

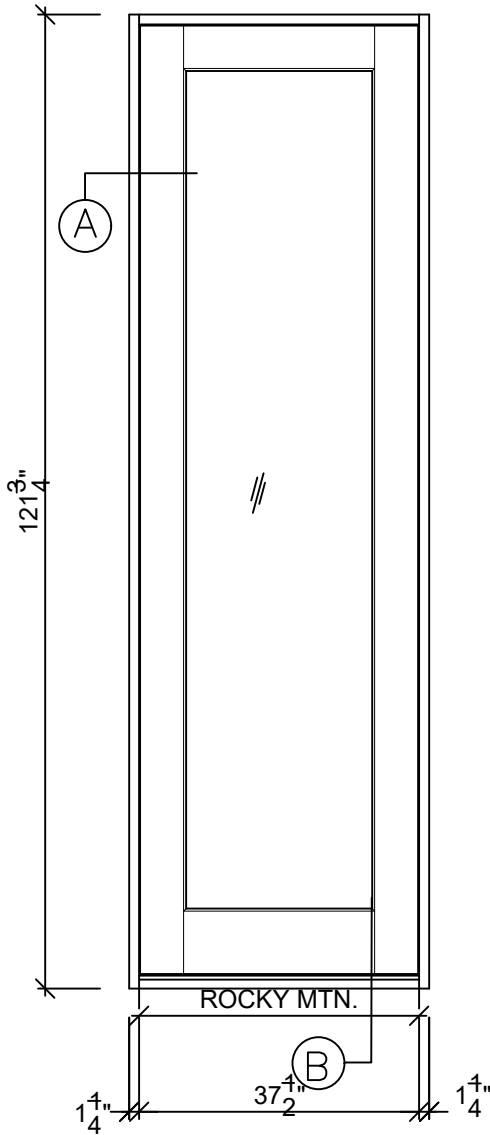
**RW**  
BUILDING  
CONSULTANTS, INC.  
813.659.9197

DATE: \_\_\_\_\_  
SCALE: N.T.S.  
DWG. BY: EW  
CHK. BY: RW  
DRAWING NO.: L-2440  
SHEET 1 OF 1

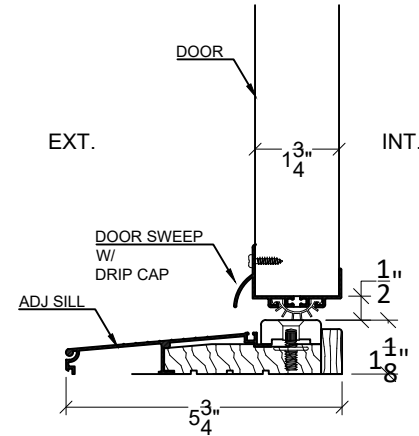
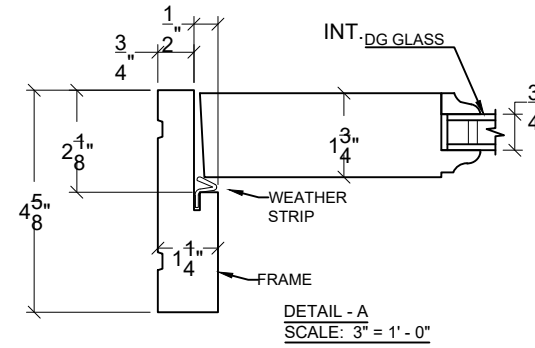
DBA ARGADIA CUSTOM



Testing Evaluation Laboratories Inc  
Specimen Complies with Drawing  
Deviations Noted - TEL # 800-651-8008  
Date 5/18/04 Verified by *AKD*



DOOR & FRAME - 15 ELEVATION  
SCALE: 1/2" = 1' - 0"



17	AQ	WHR STRIP-10	WEATHER STRIP	--
16	1	PAMP-FD	--	--
15	1	P2MP-MFP	--	--
14	1	MORTISE	BATON	--
13	1	LATCH	--	--
12	1	DEADBOLT	CYLINDRICAL LOCK	--
11	10	SPACER	GLASS SPACERS	--
10	1	PAD CORNERS	ENDURA CORNER PADS	--
9	1	5008	TITE BOND II PREMIUM WOOD GLUE	--
8	1	1-0-1211HEAD	& SILL STRIKES W&F	--
7	14	3000-1-1058	8'RH TRILENNIUM LOCK W&F	--
6	1	216DFG	SWEEP 1 3/4"	PEMKO
5	1	95518DW	ADJ. INSWING SILL SF	PEMKO
4	3	4 1/2" HINGE	BUTT HINGE 4 1/2"	
3	1	896 GLAZE	PECORA 896 GLAZE	
2	8	8X2 1/2"SCW	PHILLIPS GOLD SCRW	
1	14	DOWEL 4.25"	FREIDMAN 4.25" DOWEL	
ITEM	QTY	P/N	DESC.	REMARKS
BILL OF MATERIALS				

Submittal: 01  
Revision: 00  
Date: 02/13/04

DOOR 15 FOR DP TESTING  
36" X 120" 1 LITE DOOR -- CEDAR  
ELEVATIONS & DETAILS

**arcadia** CUSTOM  
WINDOW AND DOOR SOLUTIONS  
STEEL - ALUMINIUM - WOOD

9280 E. OLD VAIL RD.  
TUCSON, AZ 85747  
TEL: (520) 284-2070  
FAX: (520) 299-1638

DRAWING NUMBER:

**6.01**

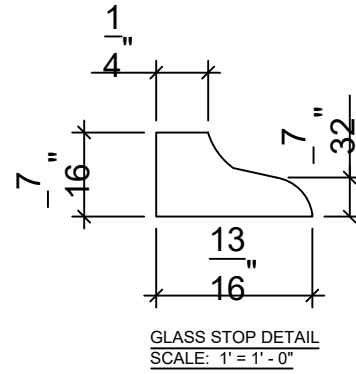
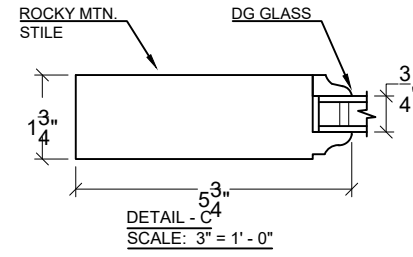
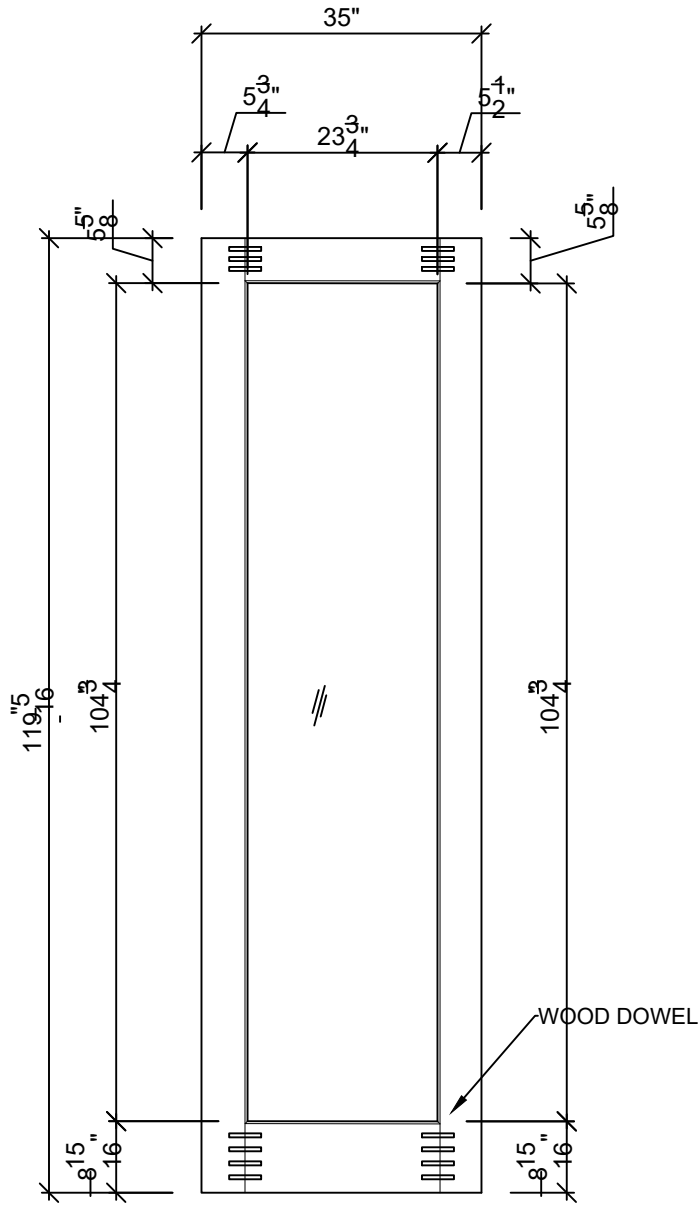
DOOR 15 FOR DP TESTING  
 36" X 120" 1 LITE DOOR -- CEDAR  
 ELEVATIONS & DETAILS

**arcadia** CUSTOM  
 WINDOW AND DOOR SOLUTIONS  
 STEEL - ALUMINUM - WOOD

9280 E. OLD VAIL RD.  
 TUCSON, AZ 85747  
 TEL: (520) 284-2070  
 FAX: (520) 299-1638

DRAWING NUMBER:

**6.02**





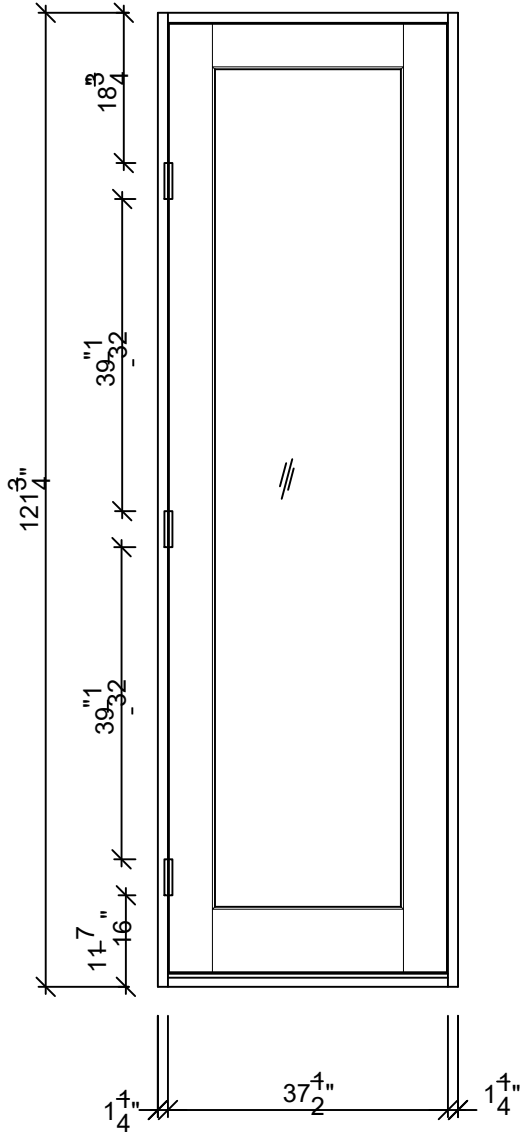
DOOR 15 FOR DP TESTING  
36" X 120" 1 LITE DOOR -- CEDAR  
ELEVATIONS & DETAILS



9280 E. OLD VAIL RD.  
TUCSON, AZ 85747  
TEL: (520) 284-2070  
FAX: (520) 299-1638

DRAWING NUMBER:

6.03



ROCKY MTN. DOOR ELEVATION - INTERIOR  
SCALE: 1/2" = 1'-0"