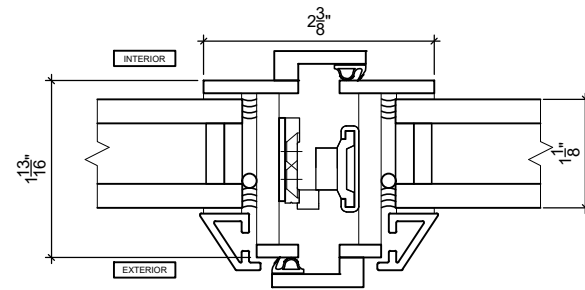
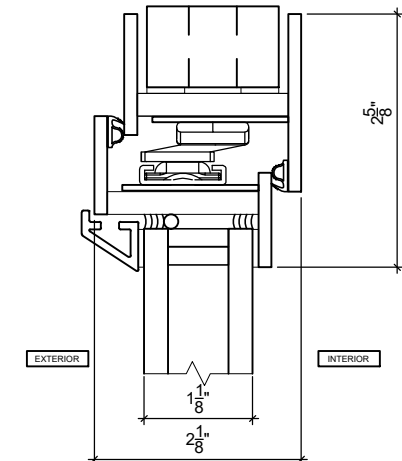


# OUTSWING FRENCH DOOR (PAIR) - LONG LEGS

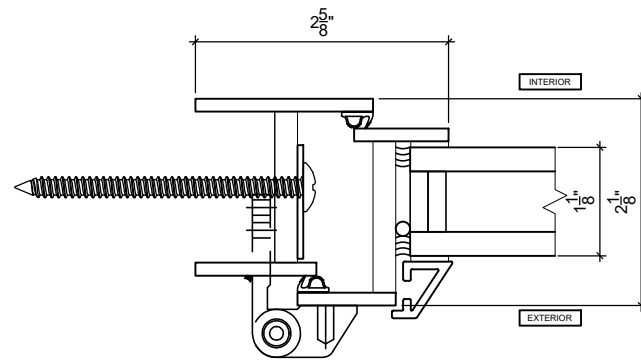
TSX40



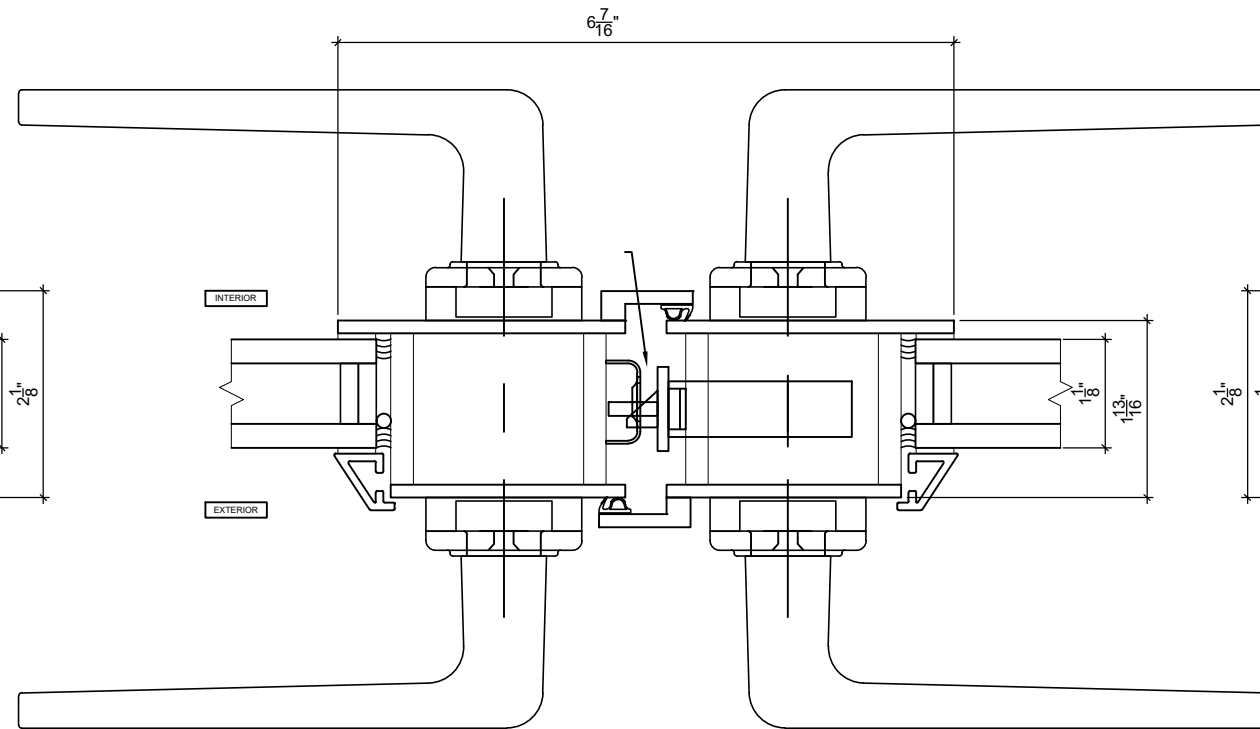
OUTSWING DOOR PAIR  
(MULTIPOINT)



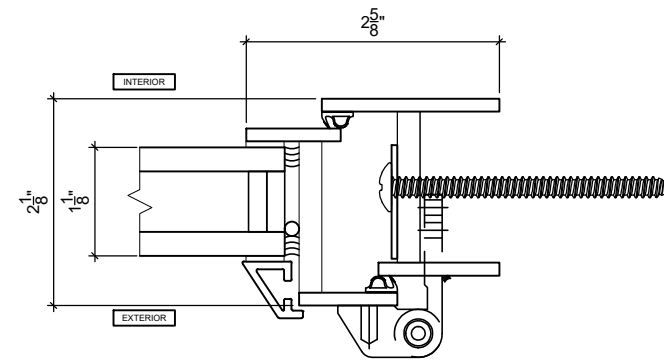
OUTSWING HEADER  
(LIMITER)



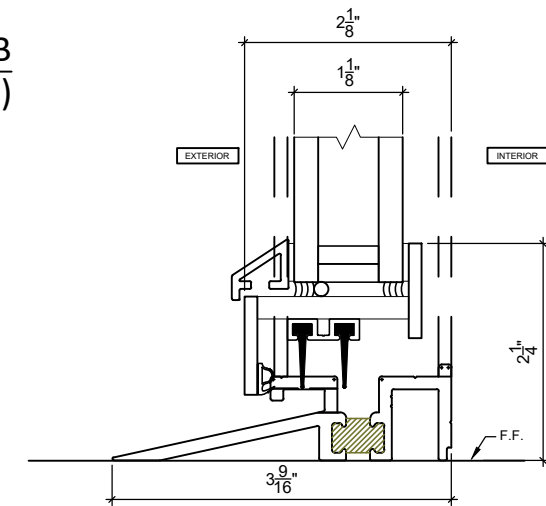
OUTSWING HINGE JAMB  
(BUTT HINGES)



OUTSWING DOOR PAIR  
(LOCKBOX-CLASSIC TRIM)



OUTSWING HINGE JAMB  
(BUTT HINGES)



OUTSWING SILL

ORDER #  
PROJECT NAME  
DEALER NAME

**arcadia** CUSTOM  
WINDOW AND DOOR SOLUTIONS  
STEEL · ALUMINUM · WOOD

9280 E. OLD VAIL RD.  
TUCSON, AZ 85747  
TEL: (520) 284-2070  
FAX: (520) 299-1638

DRAWN BY: DRAWN  
CHECKED BY: AR  
DATE: DATE  
SCALE: 6" = 1"  
DRAWING NUMBER:

**5.01A**