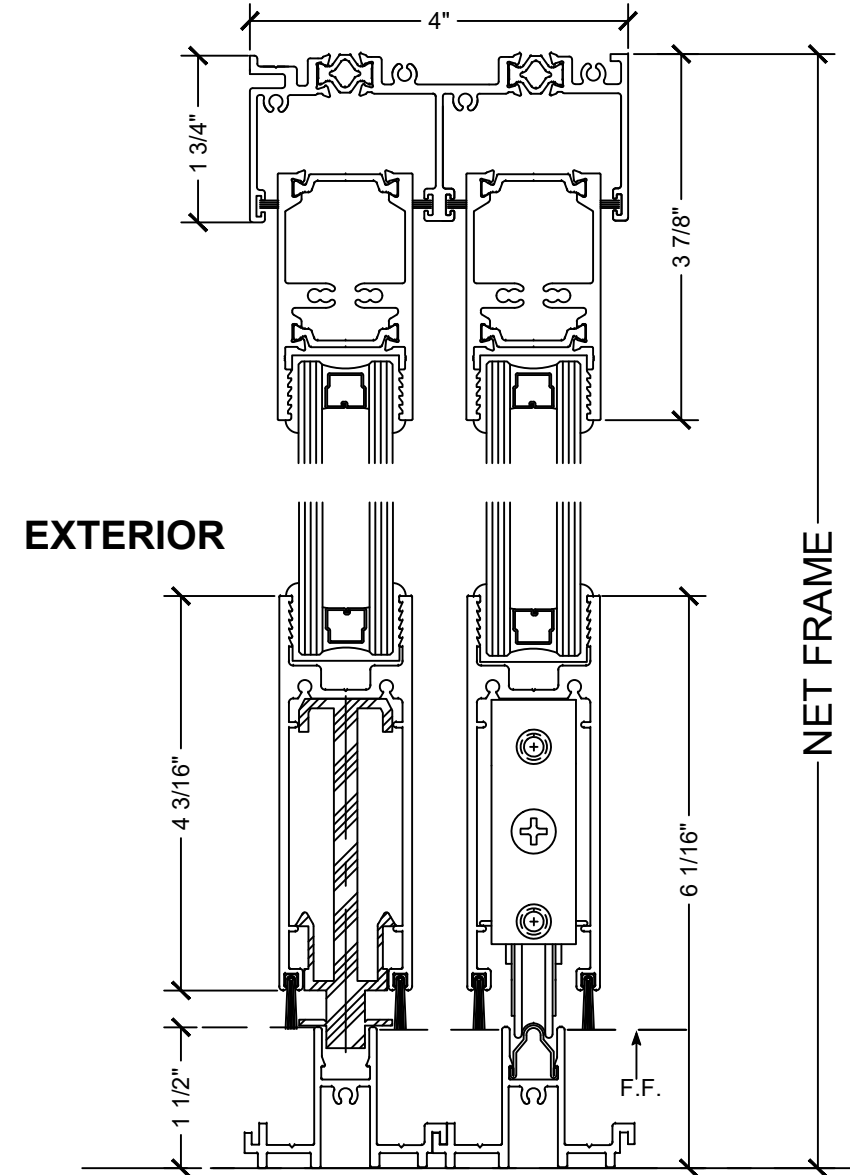


Standard sill



Recessed sill

CUSTOMERS REVIEW:
 APPROVED FOR FABRICATION, NO EXCEPTIONS TAKEN.
 BY: _____ DATE : _____
 APPROVED FOR FABRICATION, AS NOTED.
 BY: _____ DATE : _____
 PLEASE REVISE & RESUBMIT, DO NOT FABRICATE.
 BY: _____ DATE : _____

REV.:	DESCRIPTION:	DATE:
△	.	.

JOB NAME:	CUSTOMER:	TITLE: DETAILS	PRODUCT: 4000T SERIES SILL OPTIONS	DRAWING #:
FINISH:	DRAWN BY:	SCALE: NONE	DATE: 9-4-20	SHEET: 1 OF 1