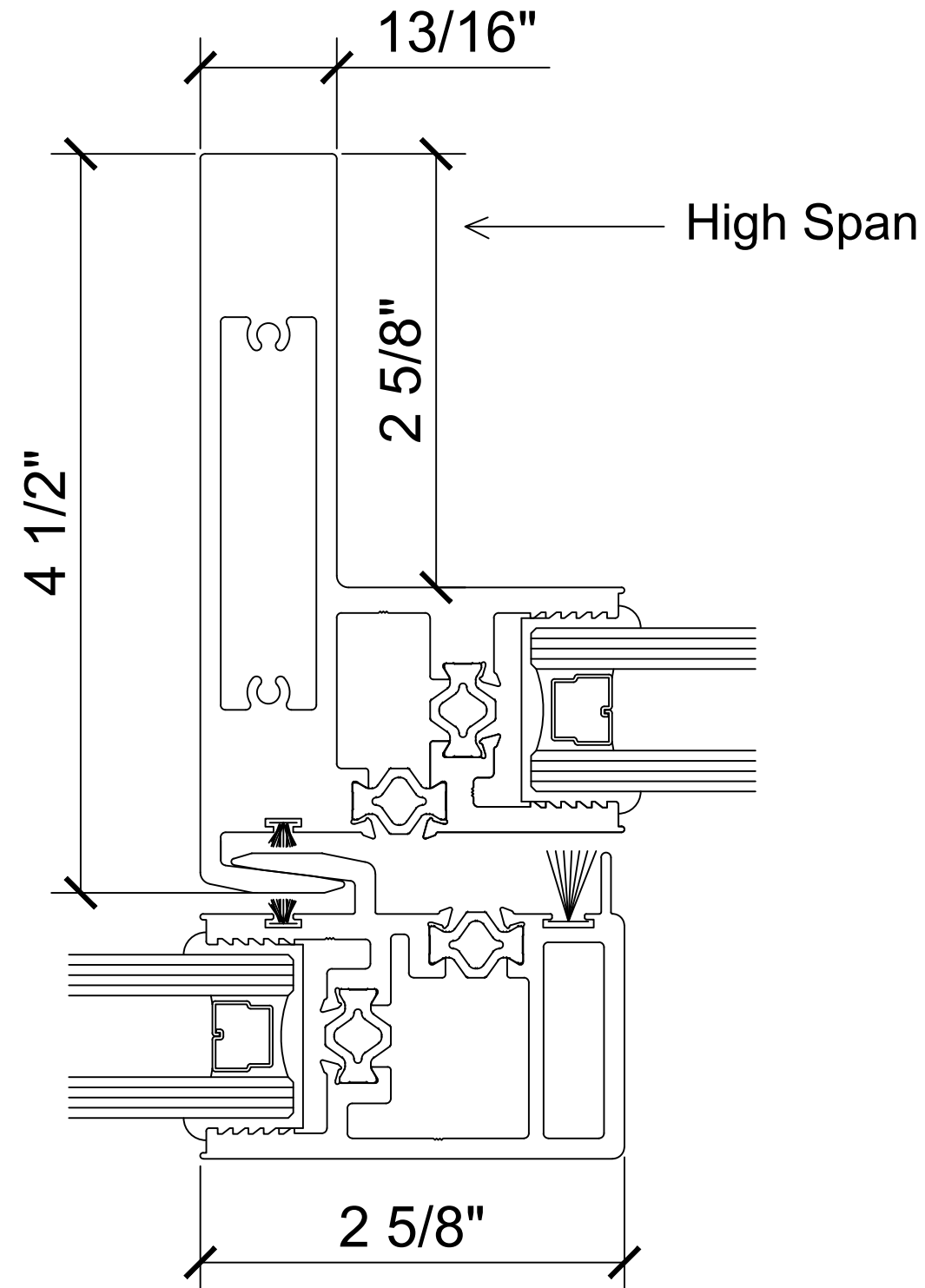


CUSTOMERS REVIEW:

APPROVED FOR FABRICATION, NO EXCEPTIONS TAKEN.
BY: _____ DATE : _____
APPROVED FOR FABRICATION, AS NOTED.
BY: _____ DATE : _____
PLEASE REVISE & RESUBMIT, DO NOT FABRICATE.
BY: _____ DATE : _____

REV.:	DESCRIPTION:	DATE:
△	.	.

JOB NAME:	CUSTOMER:	TITLE:	PRODUCT:	DRAWING #:
FINISH:	DRAWN BY: MANDIE WHITESIDE	SCALE: NONE	DATE: 8-28-18	SHEET: X OF X



CUSTOMERS REVIEW:	
APPROVED FOR FABRICATION, NO EXCEPTIONS TAKEN.	BY: _____ DATE : _____
APPROVED FOR FABRICATION, AS NOTED.	BY: _____ DATE : _____
PLEASE REVISE & RESUBMIT, DO NOT FABRICATE.	BY: _____ DATE : _____

REV.:	DESCRIPTION:	DATE:
△	.	.

JOB NAME:	CUSTOMER:	TITLE:	PRODUCT:	DRAWING #:
FINISH:	DRAWN BY: MANDIE WHITESIDE	SCALE: NONE	DATE: 8-28-18	SHEET: X OF X