

Submittal:
 Revision:
 Date: 05/18/2020

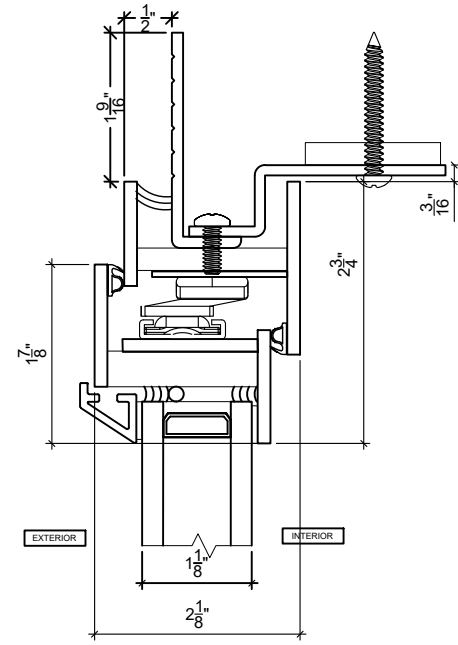
OUTSWING DOOR PAIR
40mm GRP
PROFILE 2.0

arcadia CUSTOM
 WINDOW AND DOOR SOLUTIONS
 STEEL - ALUMINUM - WOOD

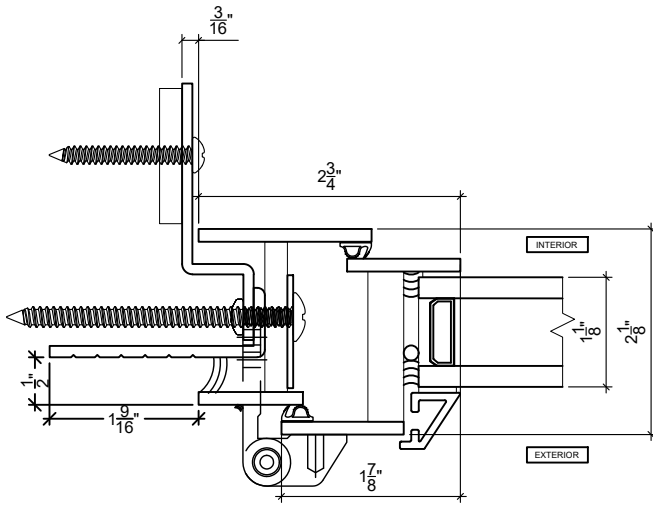
9280 E. OLD VAIL RD.
 TUCSON, AZ 85747
 TEL: (520) 284-2070
 FAX: (520) 299-1638

DRAWN BY: AP
 CHECKED BY: AR
 DATE: 05/18/2020
 SCALE: NTS
 DRAWING NUMBER:

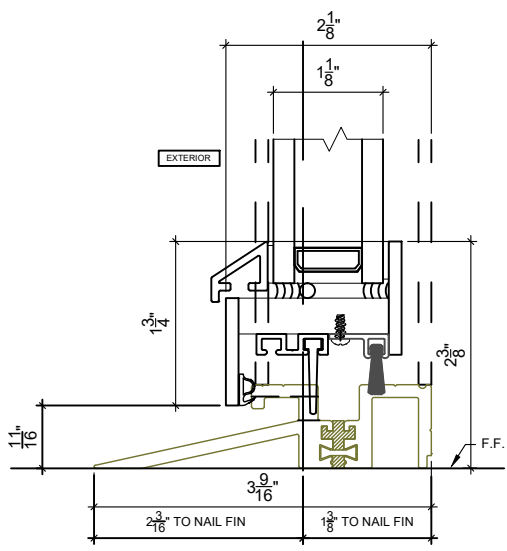
5.02



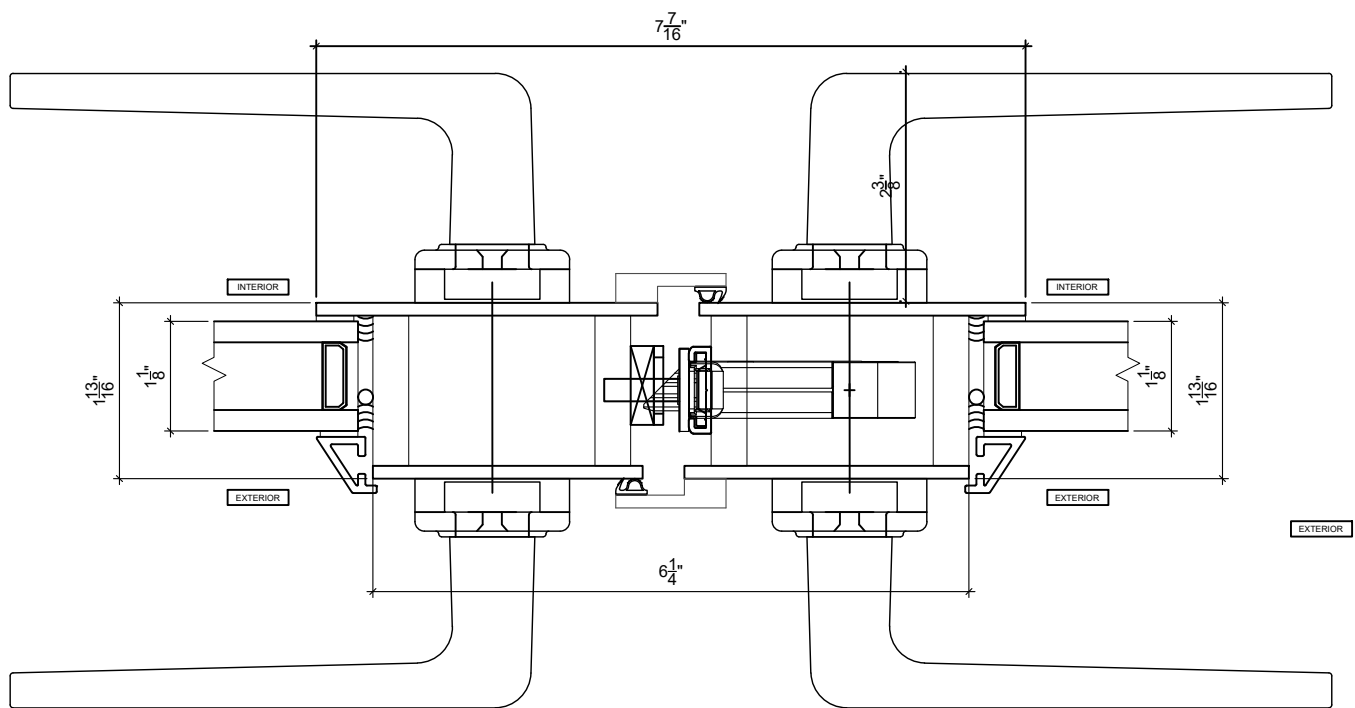
O.S. DOOR HEADER
(LIMITER)



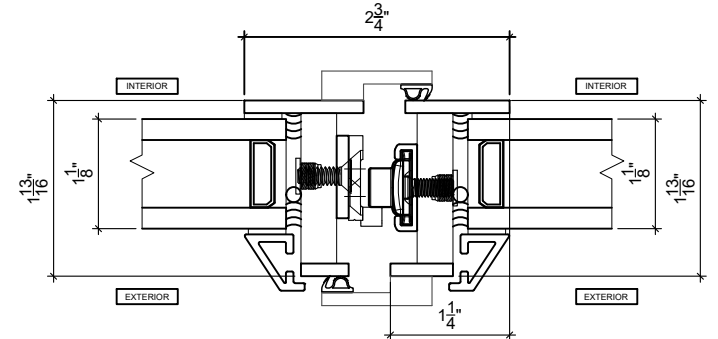
O.S. DOOR HINGE JAMB
(BUTT HINGES)



OUTSWING SILL



O.S. DOOR PAIR, RHA
(LOCKBOX-CLASSIC TRIM)



O.S. DOOR PAIR, RHA
(MULTIPOINT)

All dimensions and conditions shown in these Shop Drawings should be verified in the field before fabrication & installation. Substrate details are for reference only and must be verified by Sub-Contractor and Architect.

Submittal:
 Revision:
 Date: 05/18/2020

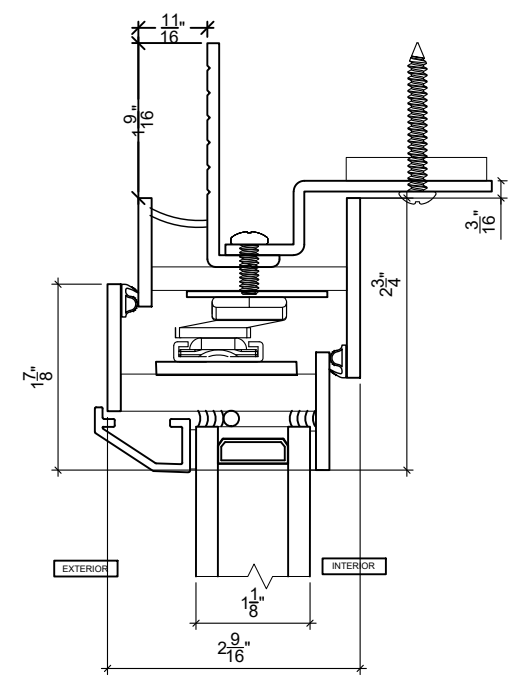
OUTSWING DOOR PAIR
50mm GRP
PROFILE 2.0

arcadia CUSTOM
 WINDOW AND DOOR SOLUTIONS
 STEEL - ALUMINUM - WOOD

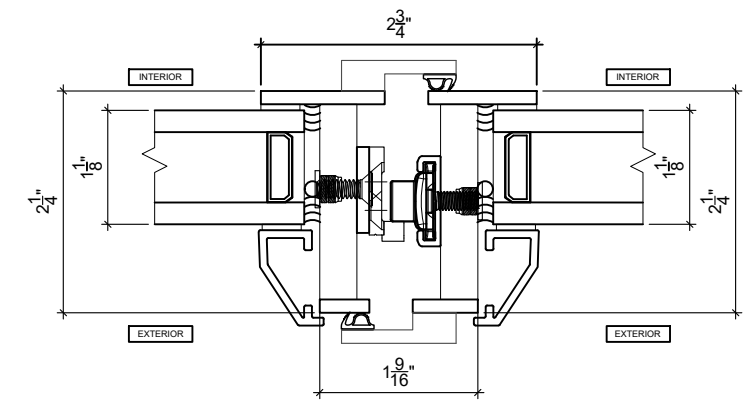
9280 E. OLD VAIL RD.
 TUCSON, AZ 85747
 TEL: (520) 284-2070
 FAX: (520) 299-1638

DRAWN BY: AP
 CHECKED BY: AR
 DATE: 05/18/2020
 SCALE: NTS
 DRAWING NUMBER:

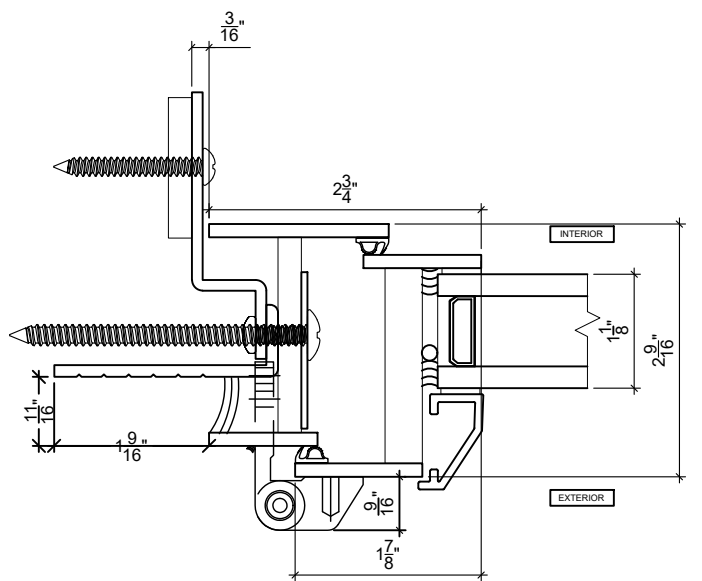
5.05



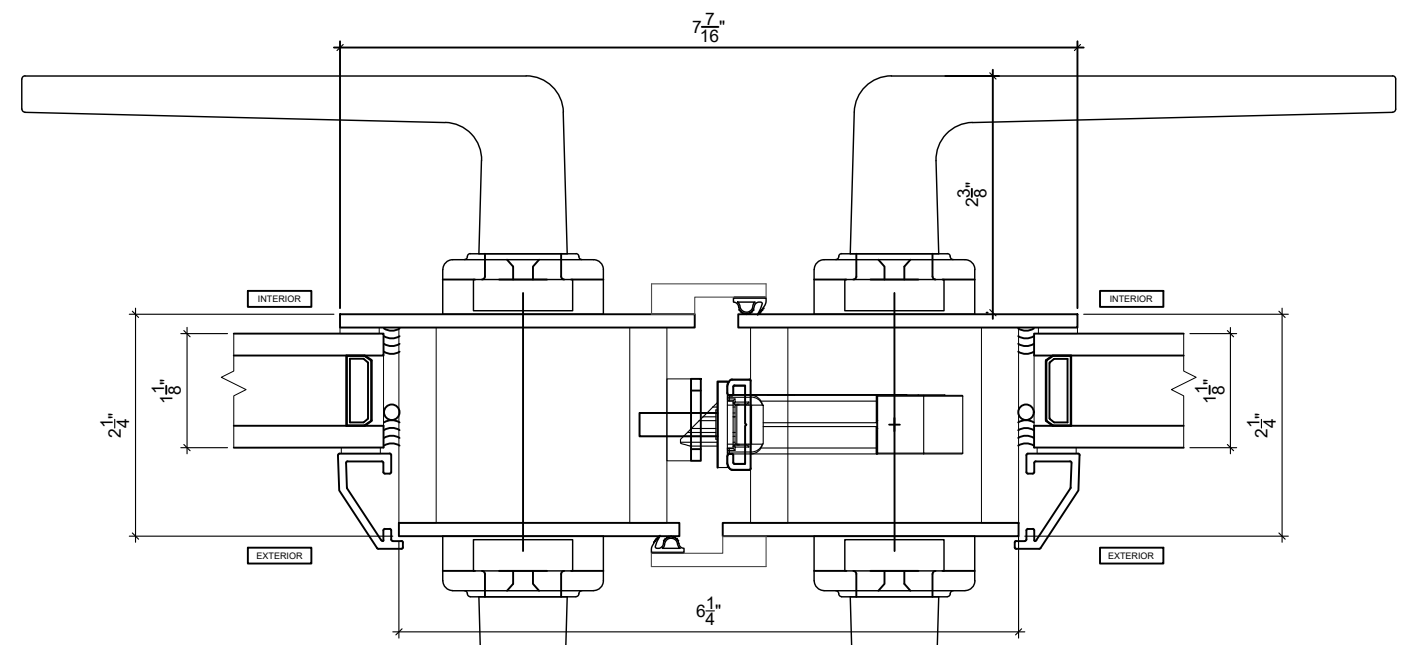
O.S. DOOR HEADER
(LIMITER)



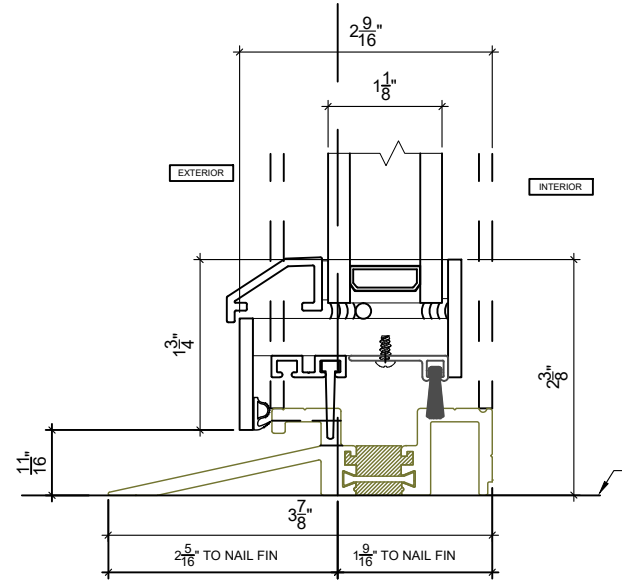
O.S. DOOR PAIR, RHA
(MULTIPOINT)



O.S. DOOR HINGE JAMB
(BUTT HINGES)



O.S. DOOR PAIR, RHA
(LOCKBOX-CLASSIC TRIM)



OUTSWING SILL

All dimensions and conditions shown in these Shop Drawings should be verified in the field before fabrication & installation. Substrate details are for reference only and must be verified by Sub-Contractor and Architect.