

Constraints:

1 3/4" sash

Minimum jamb width = 3 1/2" (No Screen)

Minimum jamb width = 4 9/16" (With Screen)

2 1/4" Sash

Minimum jamb width = 4" (No Screen)

Minimum jamb width = 5 1/16" (With Screen)

2 1/2" Sash

Minimum jamb width = 4 1/4" (No Screen)

Minimum jamb width = 5 5/16" (With Screen)

Other

Maximum jamb width = 9 1/8" (Solid)

Minimum window width = 15"

Minimum window height = 24"

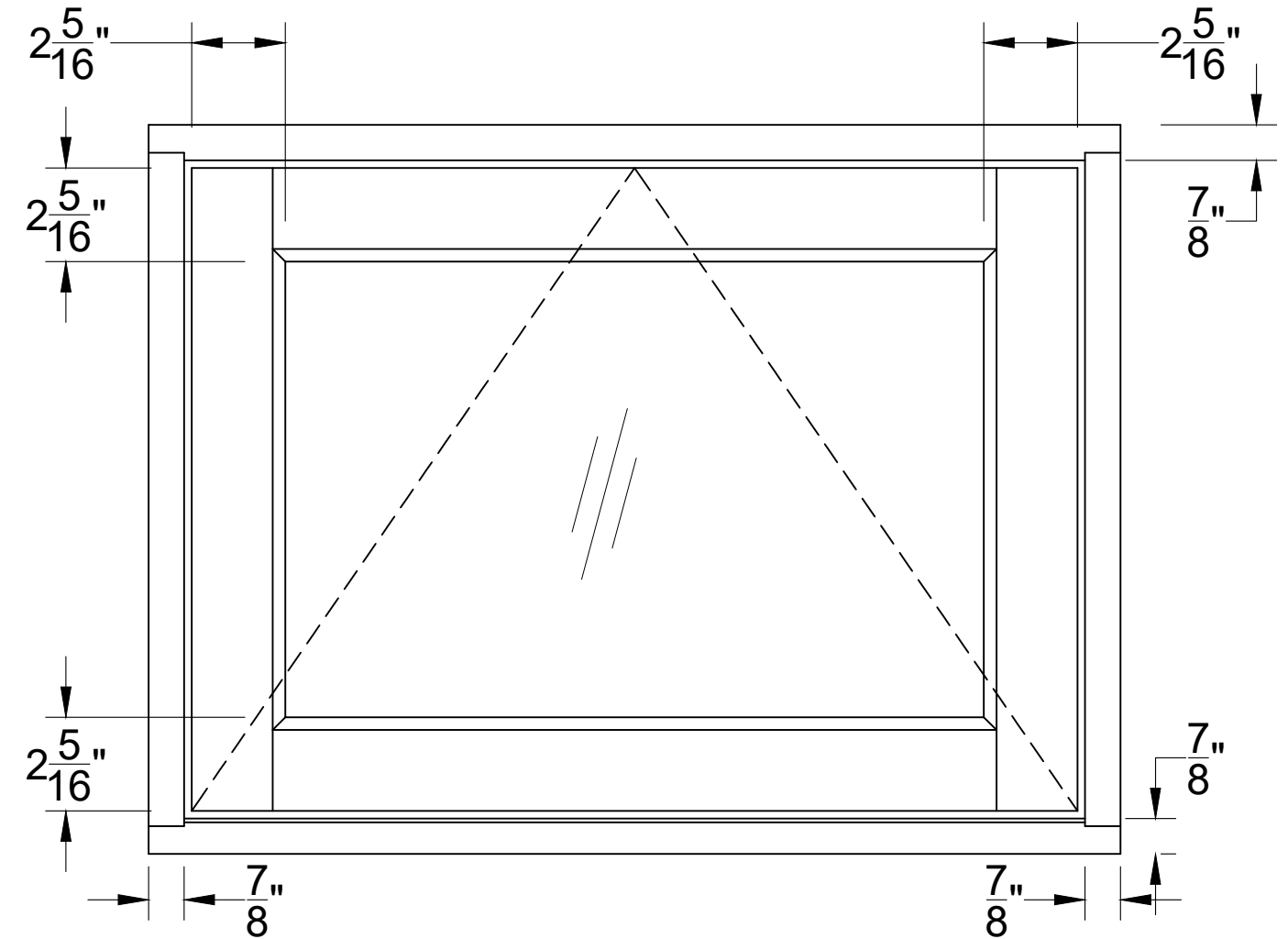
Maximum sash weight = 100lbs

Maximum window = appx 72" x 36"

Height must be \geq 66% of width

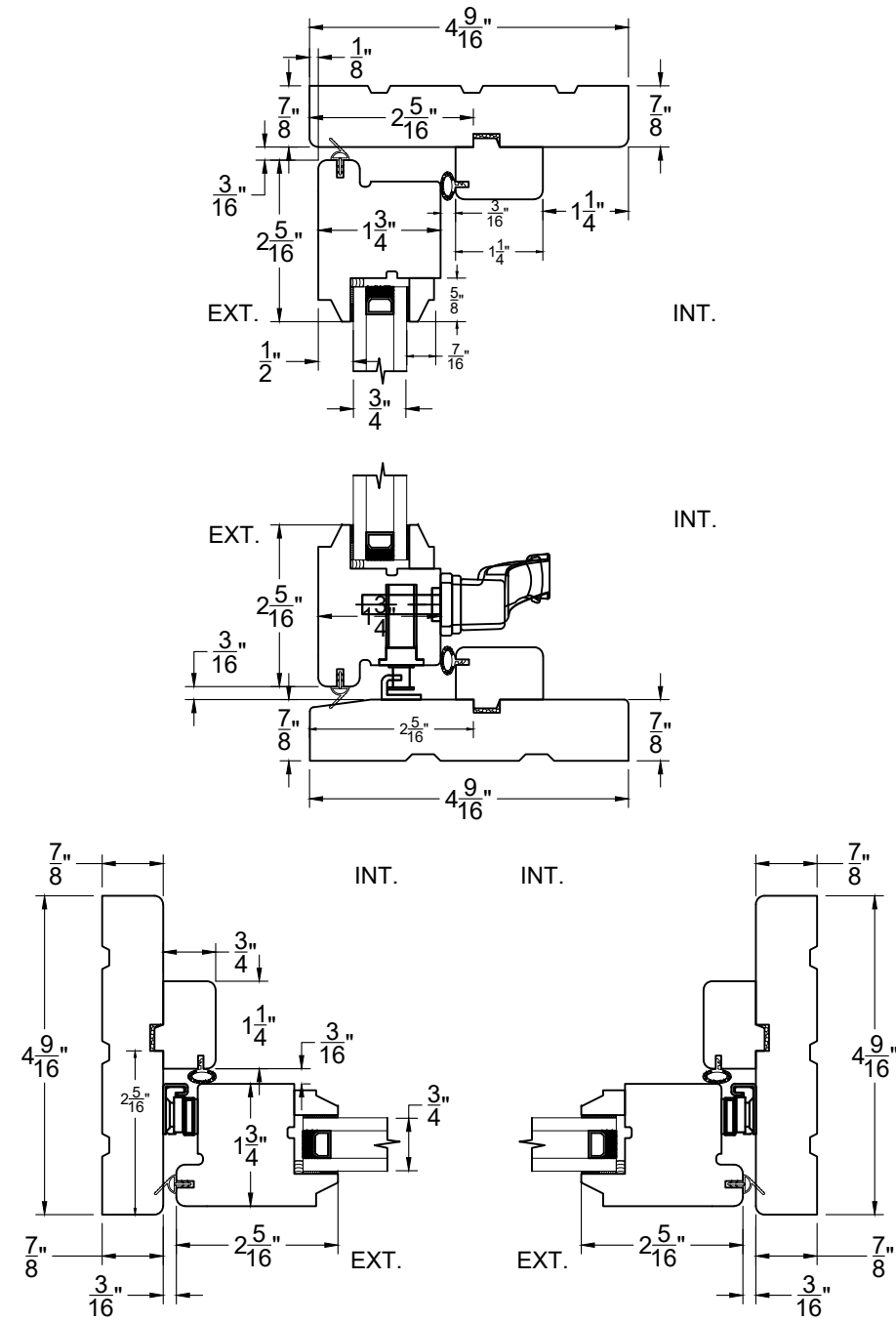
ATTENTION:

*** All drawings and specs contained herein
are shown as 1 3/4" with Classic Profile***



Sections

FRICITION HINGE MULTIPOINT NO SCREEN

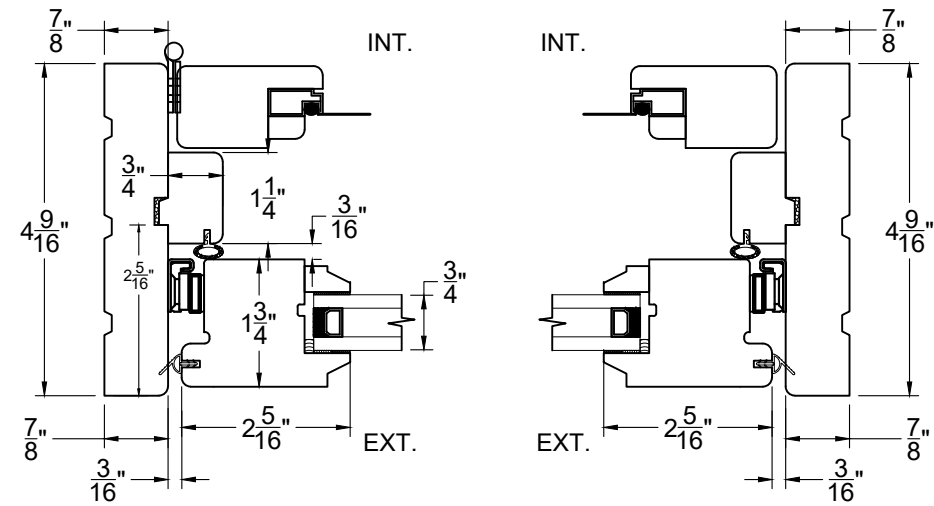
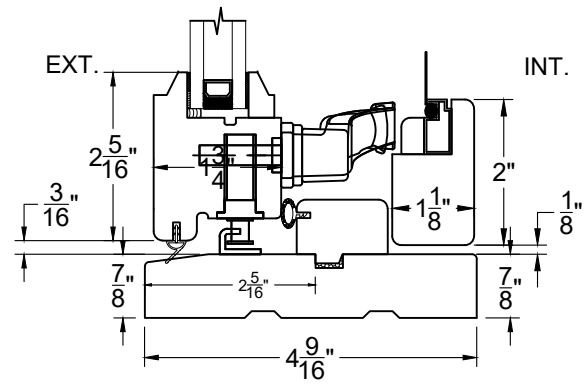
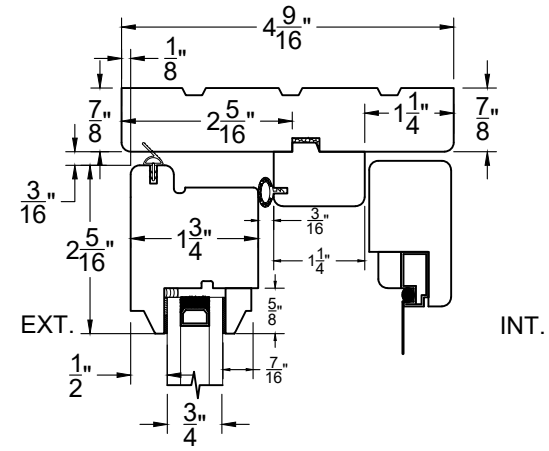


ARCADIA CUSTOM – MASTER SPECIFICATION

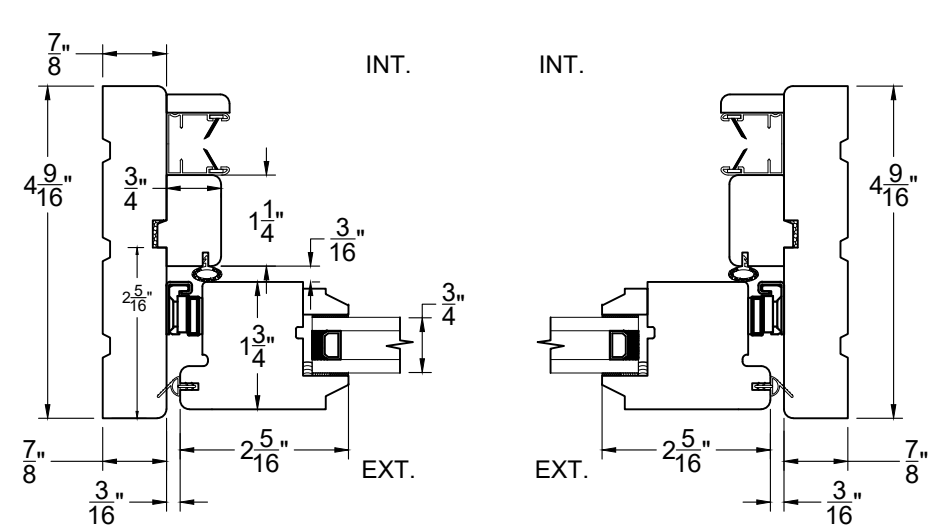
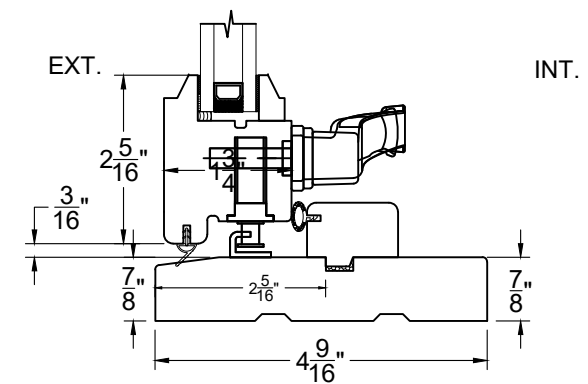
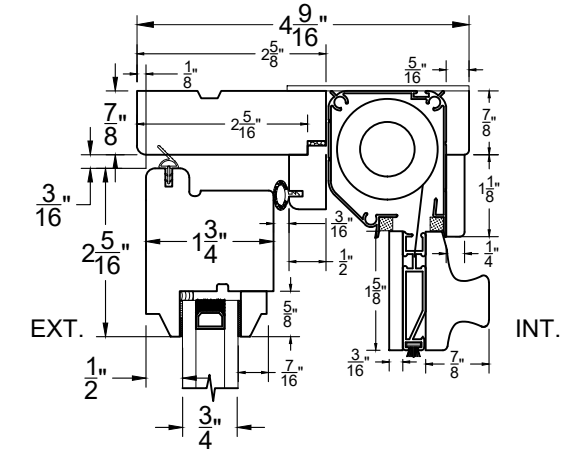
VistaWood PUSH-OUT AWNING
TYPICAL DETAILS

Sections

FRICION HINGE
MULTIPOINT
WOOD SCREEN



FRICION HINGE
MULTIPOINT
ROLL SCREEN

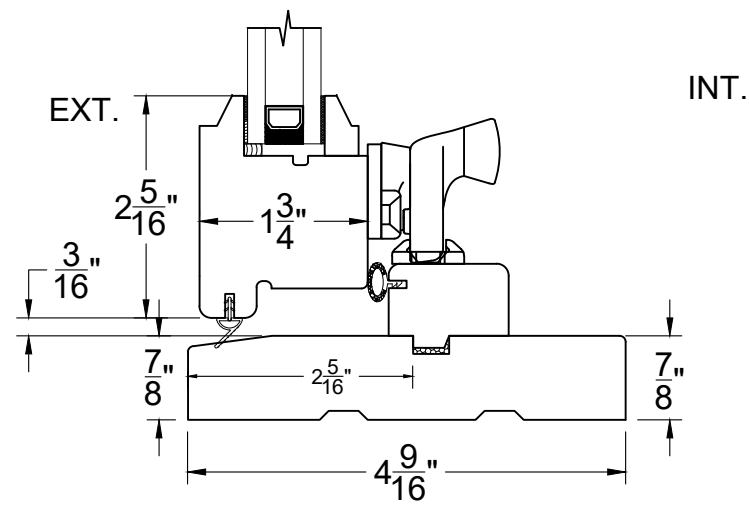


ARCADIA CUSTOM – MASTER SPECIFICATION

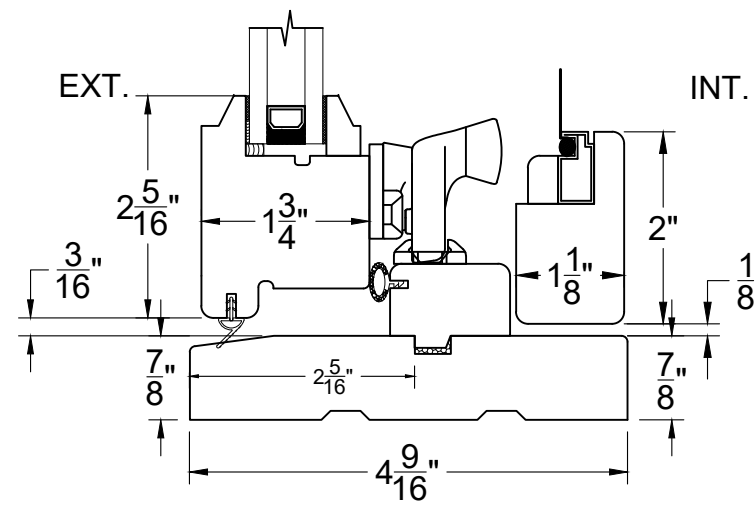
VistaWood PUSH-OUT AWNING
TYPICAL DETAILS W/ WOOD SCREEN
TYPICAL DETAILS W/ ROLL SCREEN

Sections

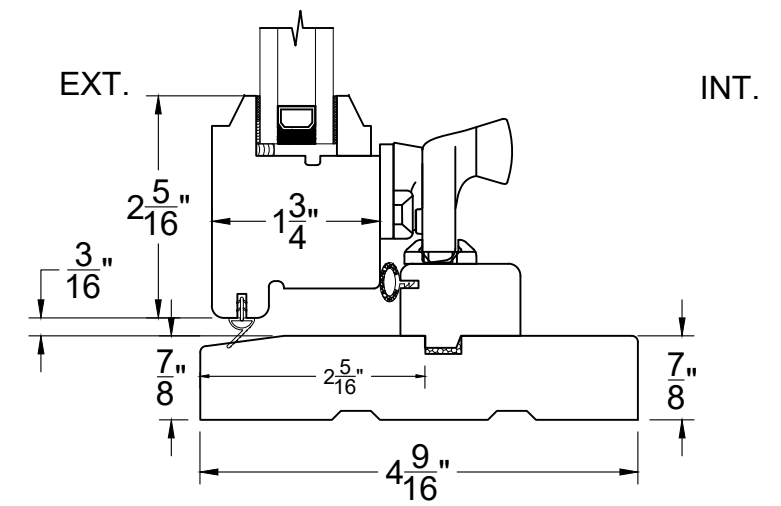
SASH LOCK
NO SCREEN



SASH LOCK
WOOD SCREEN



SASH LOCK
ROLL SCREEN

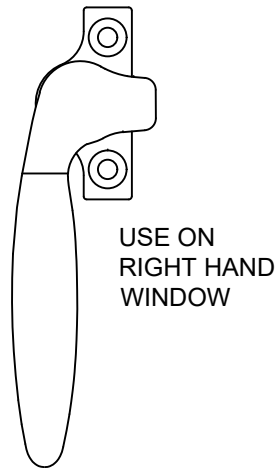


ARCADIA CUSTOM – MASTER SPECIFICATION

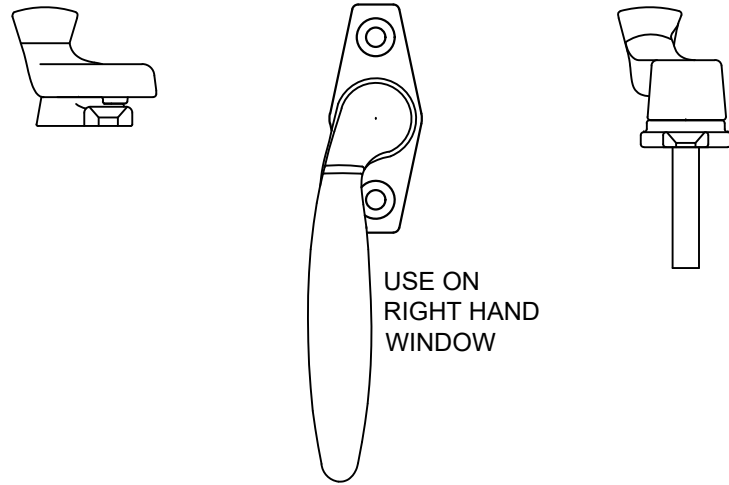
VistaWood PUSH-OUT AWNING
TYPICAL SASH LOCK DETAILS

Hardware Install

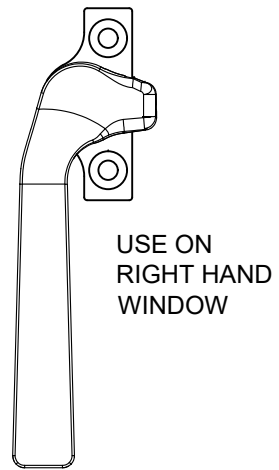
MANOR SASH LOCK



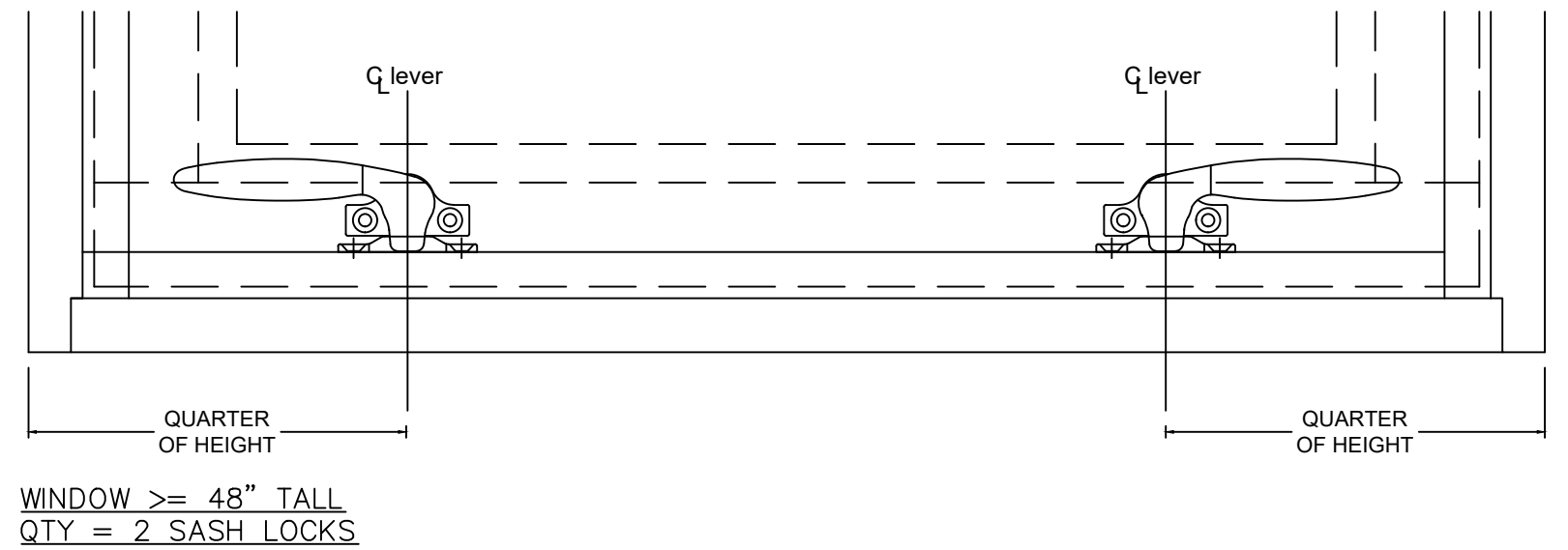
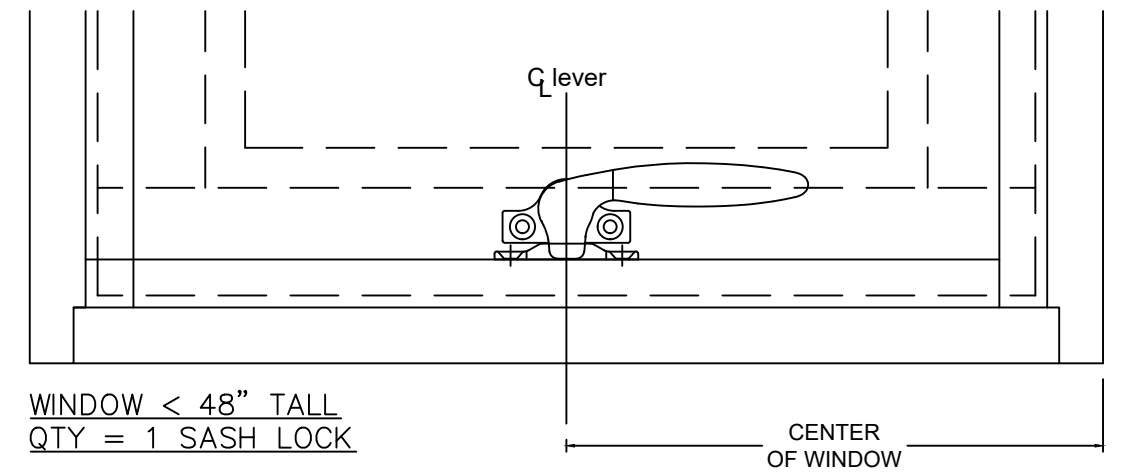
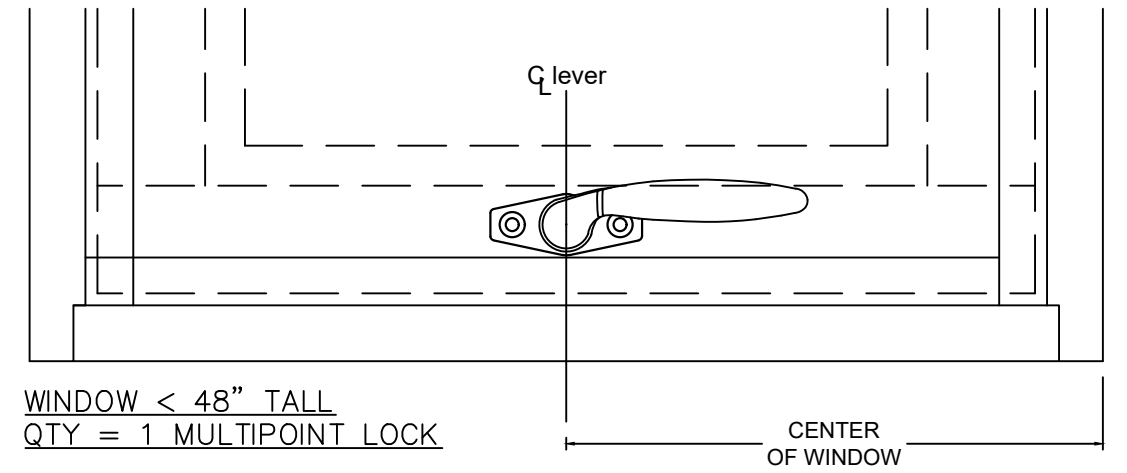
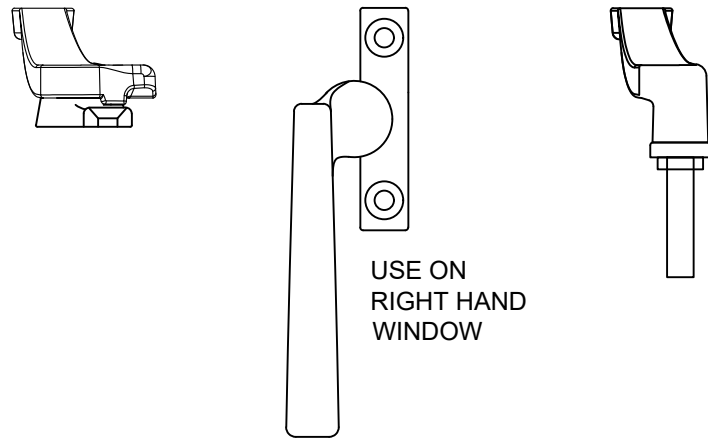
MANOR MULTIPOINT LOCK



ALPINE SASH LOCK



ALPINE MULTIPOINT LOCK



ARCADIA CUSTOM – MASTER SPECIFICATION

**VistaWood PUSH-OUT AWNING
SASH LOCK / MULTIPOINT LOCK**