

Exterior Elevation / Sections

Constraints:

1 3/4" sash

Minimum jamb width = 3 1/2" (No Screen)

2 1/4" Sash

Minimum jamb width = 4" (No Screen)

2 1/2" Sash

Minimum jamb width = 4 1/4" (No Screen)

Other

Maximum jamb width = 9 1/8" (Solid)

Minimum window width = 14"

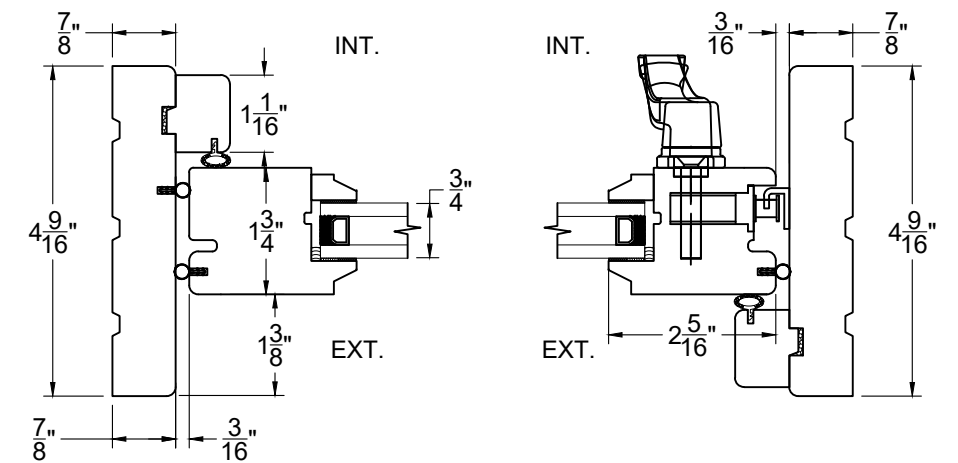
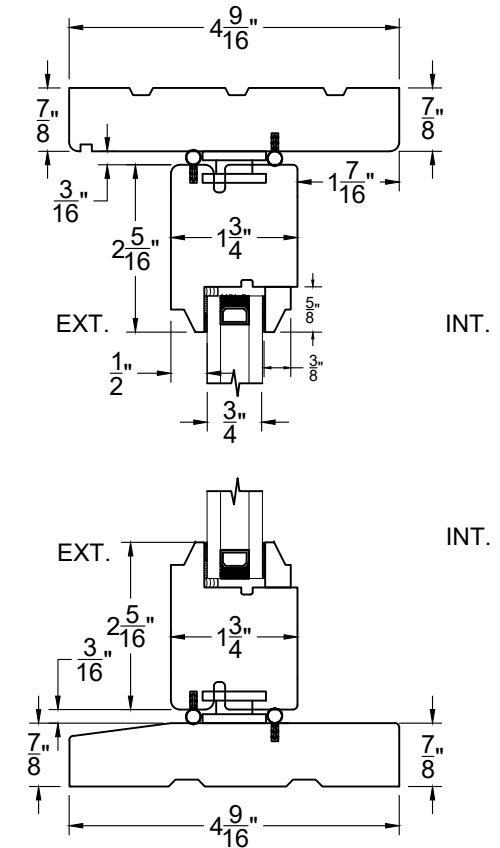
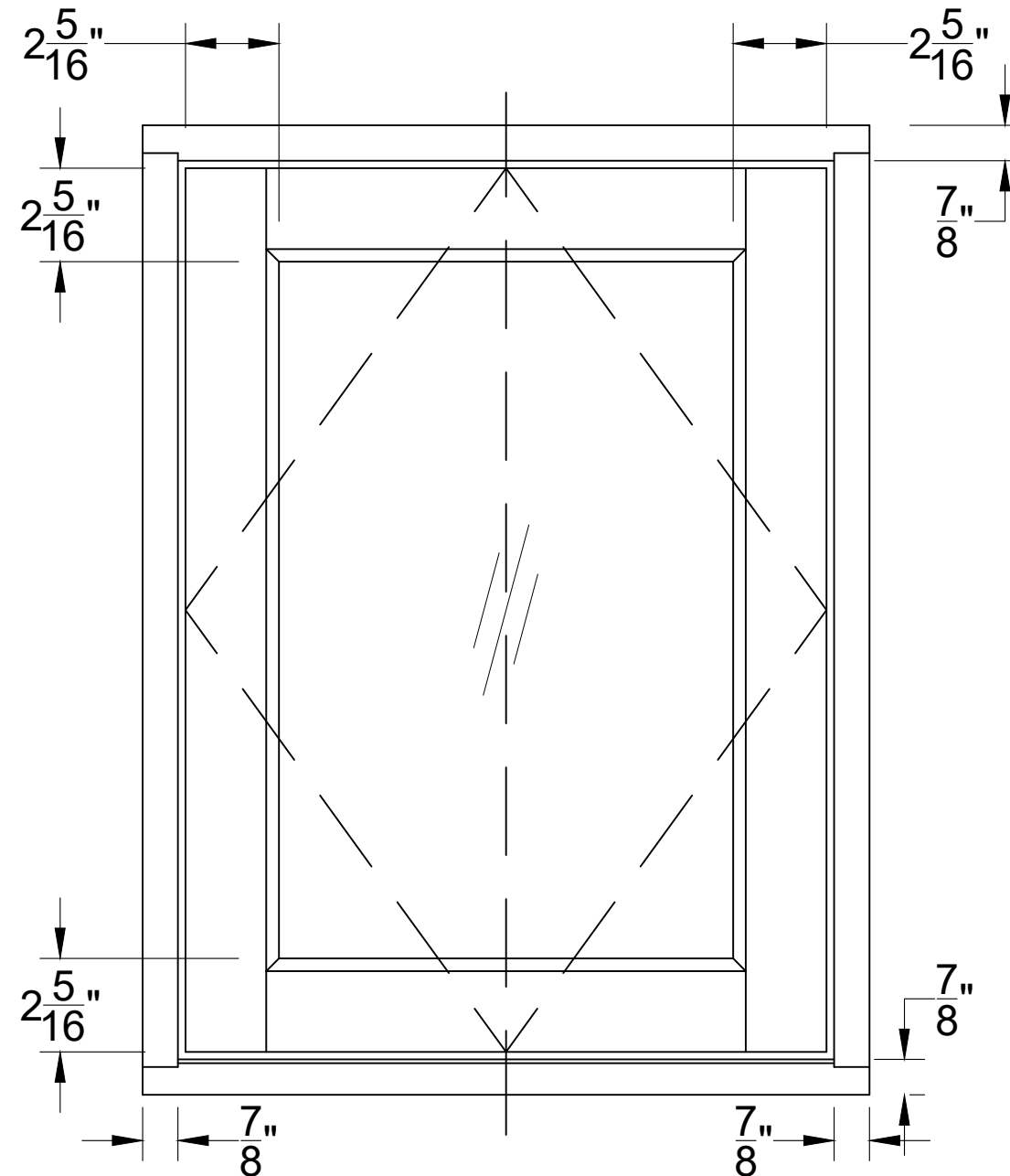
Minimum window height = 18"

Maximum sash weight = 100lbs

Maximum window = appx 36" x 72"

ATTENTION:

** All drawings and specs contained herein are shown as 1 3/4" with Classic Profile**



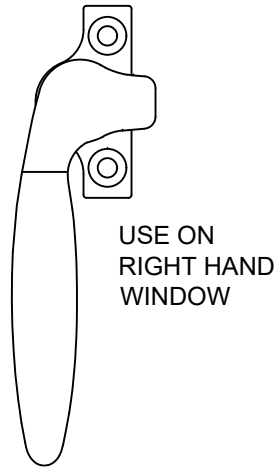
ARCADIA CUSTOM – MASTER SPECIFICATION

VistaWood PIVOT WINDOW

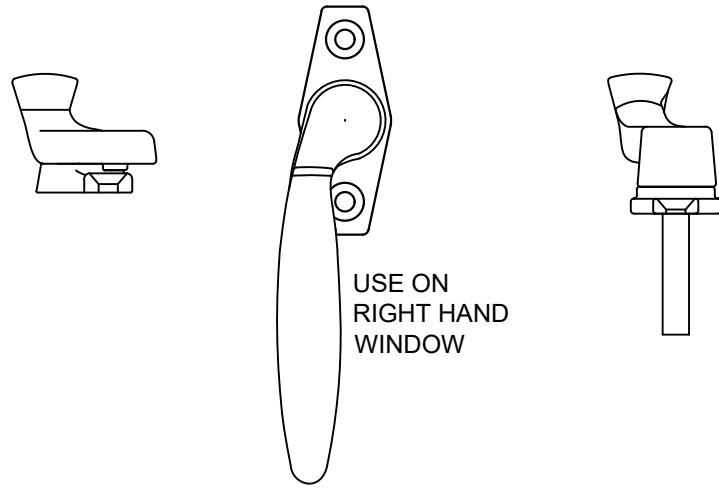
CONSTRAINTS / EXTERIOR ELEVATION / TYPICAL DETAILS

Hardware Install

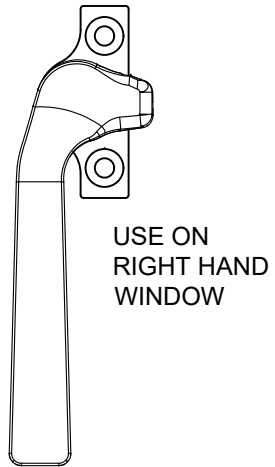
MANOR SASH LOCK



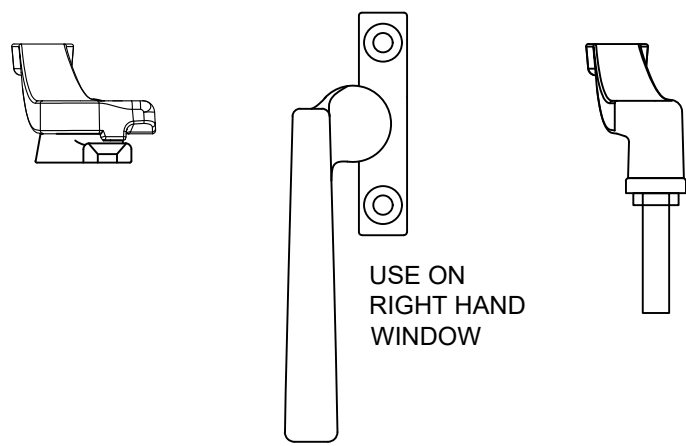
MANOR MULTIPOINT LOCK



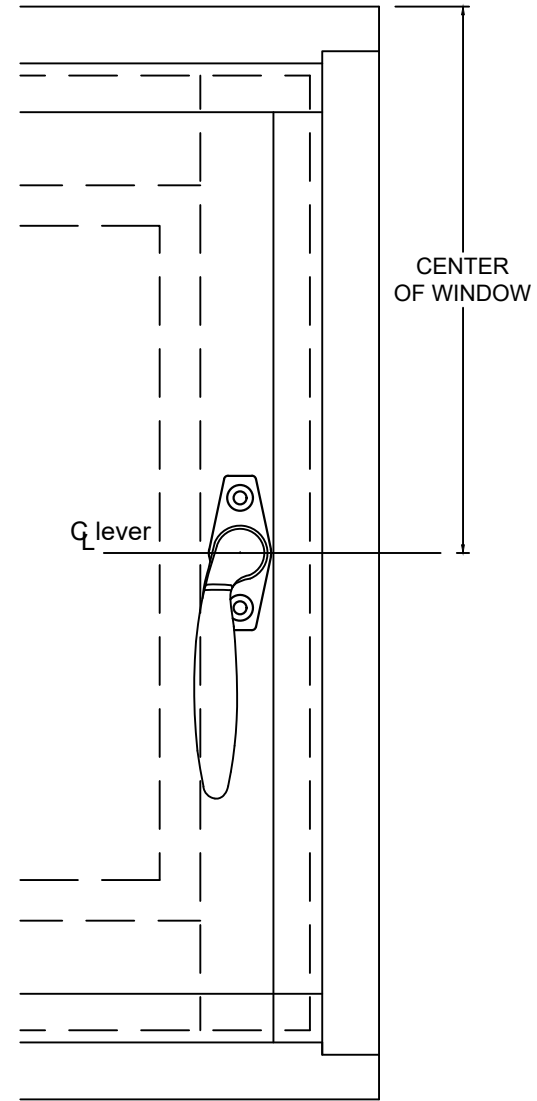
ALPINE SASH LOCK



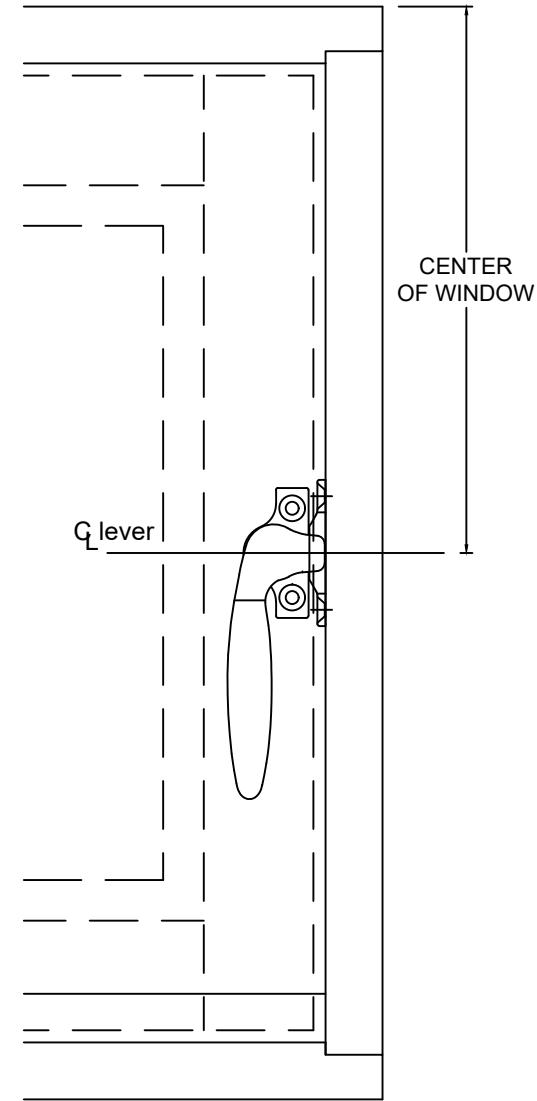
ALPINE MULTIPOINT LOCK



WINDOW < 48" TALL
QTY = 1 MULTIPOINT LOCK



WINDOW < 48" TALL
QTY = 1 SASH LOCK



WINDOW >= 48" TALL
QTY = 2 SASH LOCKS

