

Constraints:

1 3/4" sash

Minimum jamb width = 3 1/2" (No Screen)

Minimum jamb width = 4 9/16" (With Screen)

2 1/4" Sash

Minimum jamb width = 4" (No Screen)

Minimum jamb width = 5 1/16" (With Screen)

2 1/2" Sash

Minimum jamb width = 4 1/4" (No Screen)

Minimum jamb width = 5 5/16" (With Screen)

Other

Maximum jamb width = 9 1/8" (Solid)

Minimum window width = 14"

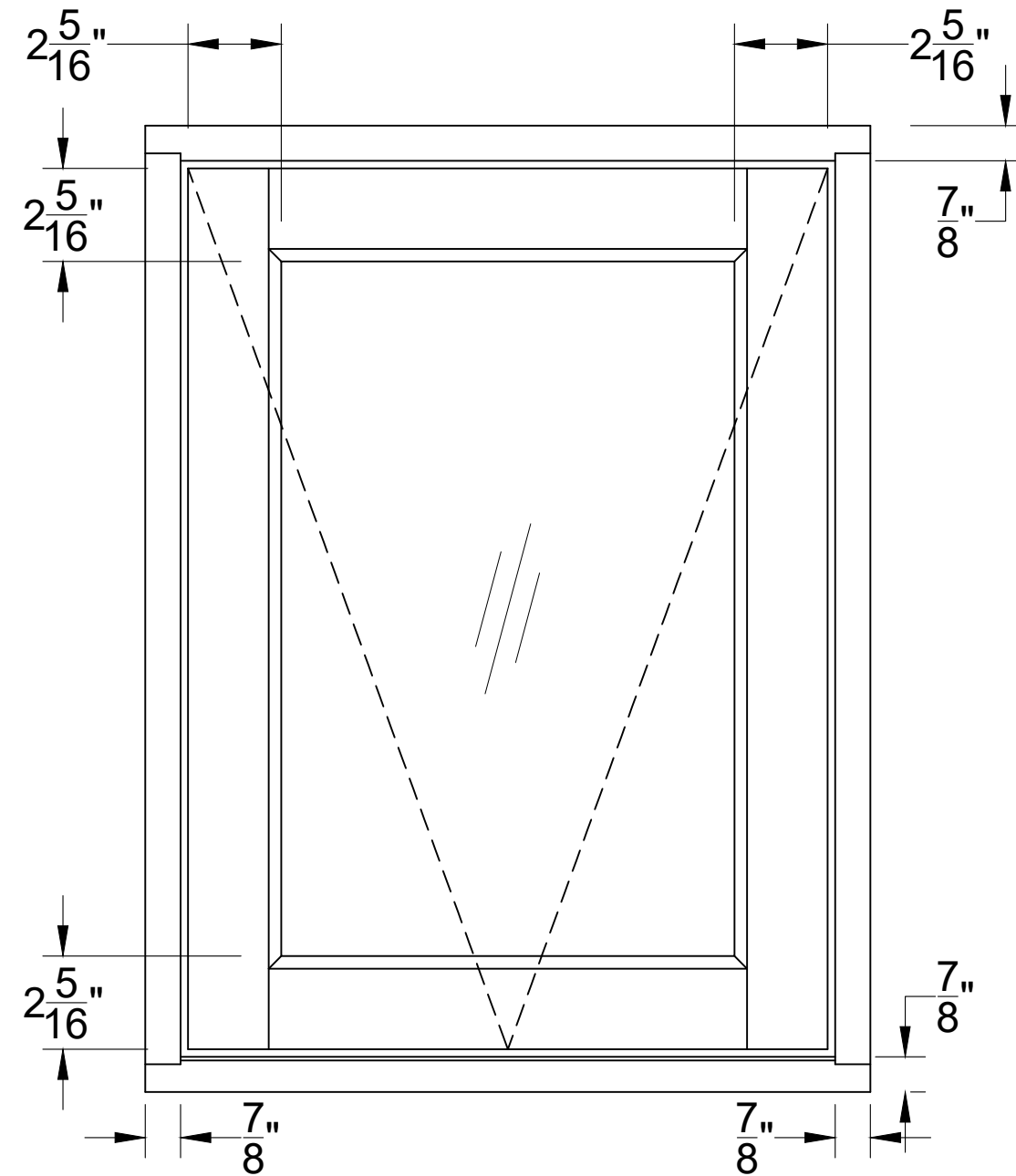
Minimum window height = 18"

Maximum sash weight = 100lbs

Maximum window = appx 72" x 36"

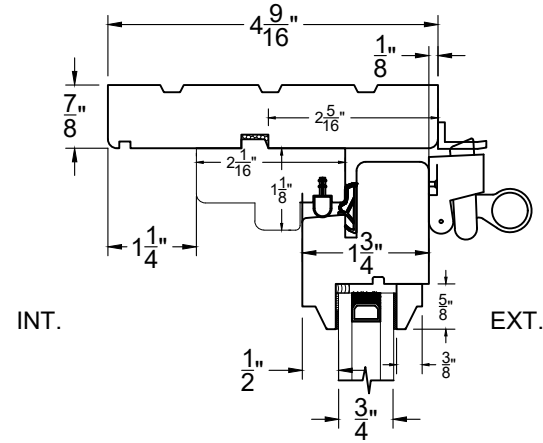
ATTENTION:

*** All drawings and specs contained herein
are shown as 1 3/4" with Classic Profile***

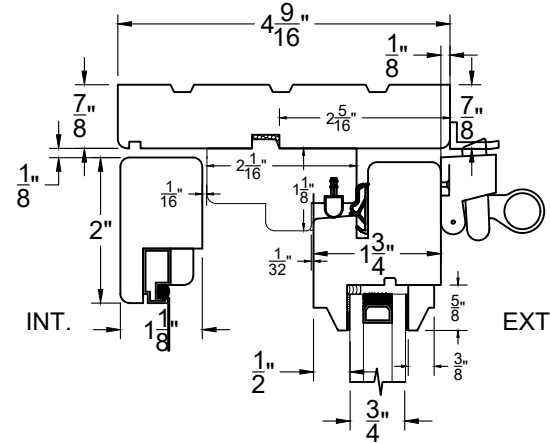


Sections

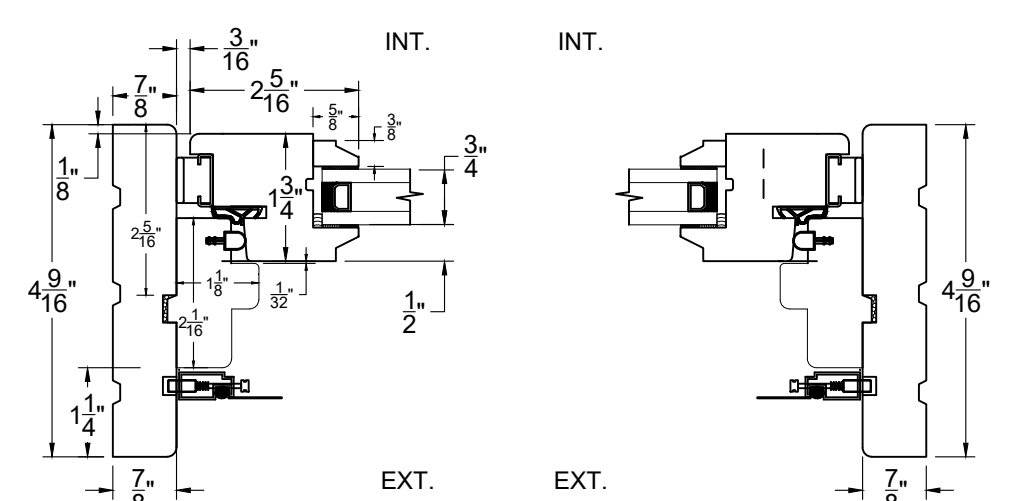
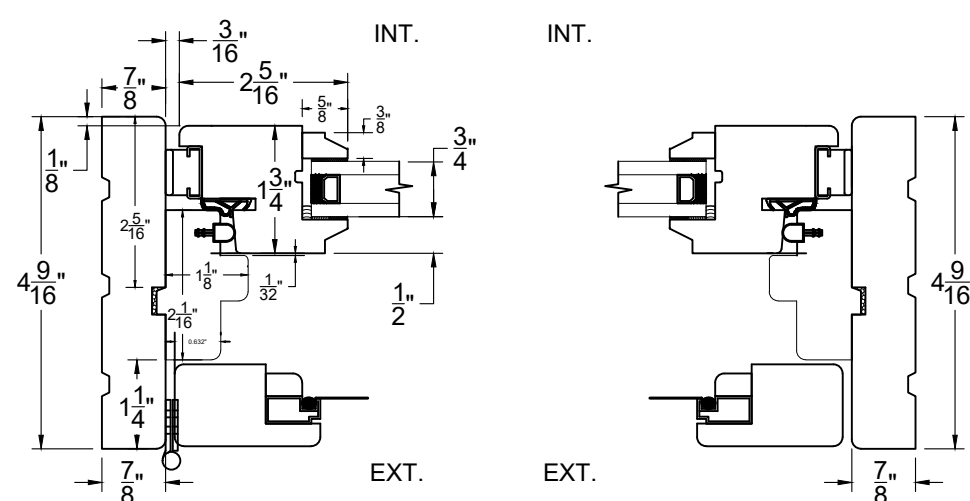
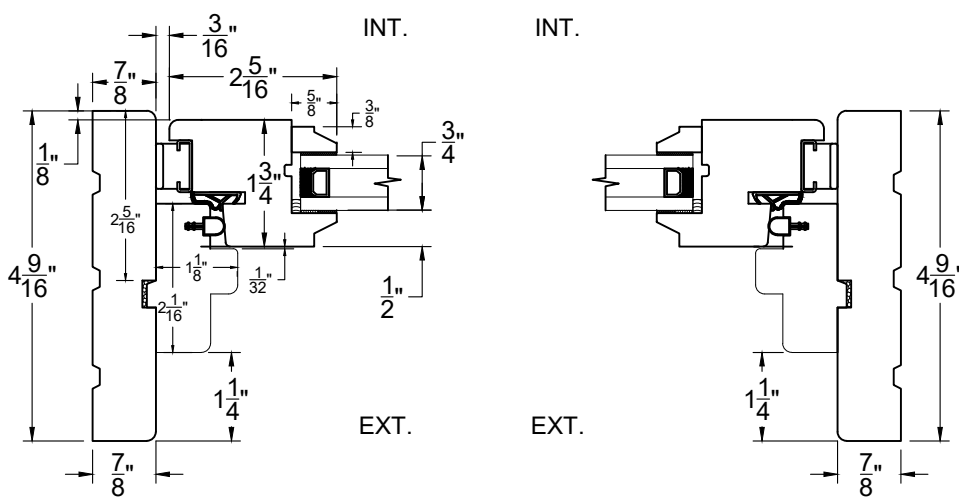
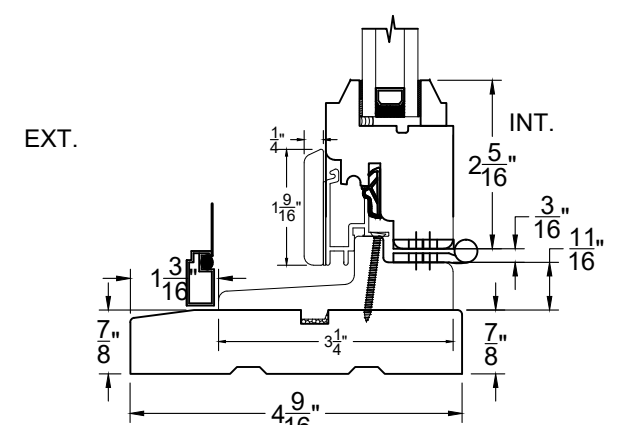
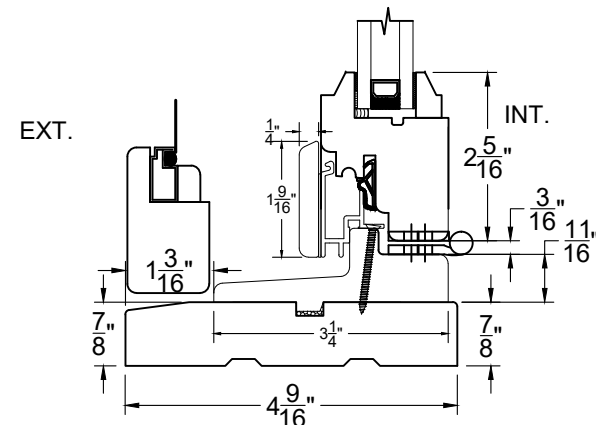
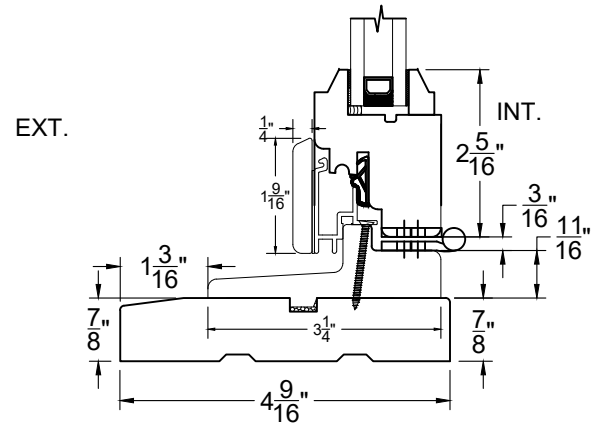
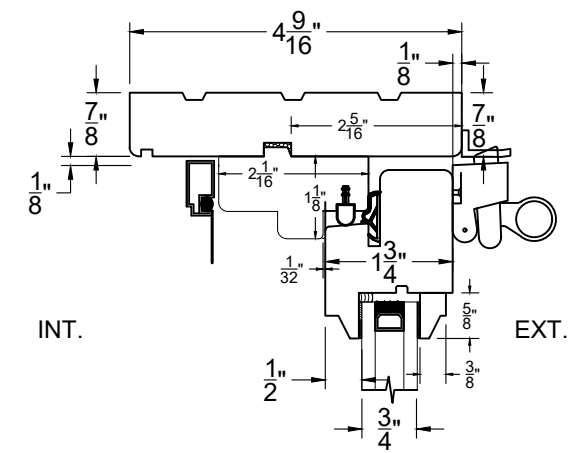
BUTT HINGE
LATCH
NO SCREEN



BUTT HINGE
LATCH
WOOD SCREEN



BUTT HINGE
LATCH
METAL SCREEN



ARCADIA CUSTOM – MASTER SPECIFICATION

ViewWood HOPPER WINDOW

TYPICAL DETAILS W/ NO SCREEN W/ WOOD SCREEN W/ METAL SCREEN