

Constraints:

1 3/4" sash

Minimum jamb width = 4 9/16" (No Screen)

Minimum jamb width = 4 9/16" (With Screen)

2 1/4" Sash

Minimum jamb width = 5 1/16" (No Screen)

Minimum jamb width = 5 1/16" (With Screen)

2 1/2" Sash

Minimum jamb width = 5 5/16" (No Screen)

Minimum jamb width = 5 5/16" (With Screen)

Other

Maximum jamb width = 9 1/8" (Solid)

Minimum window width = 20"

Minimum window height = 13"

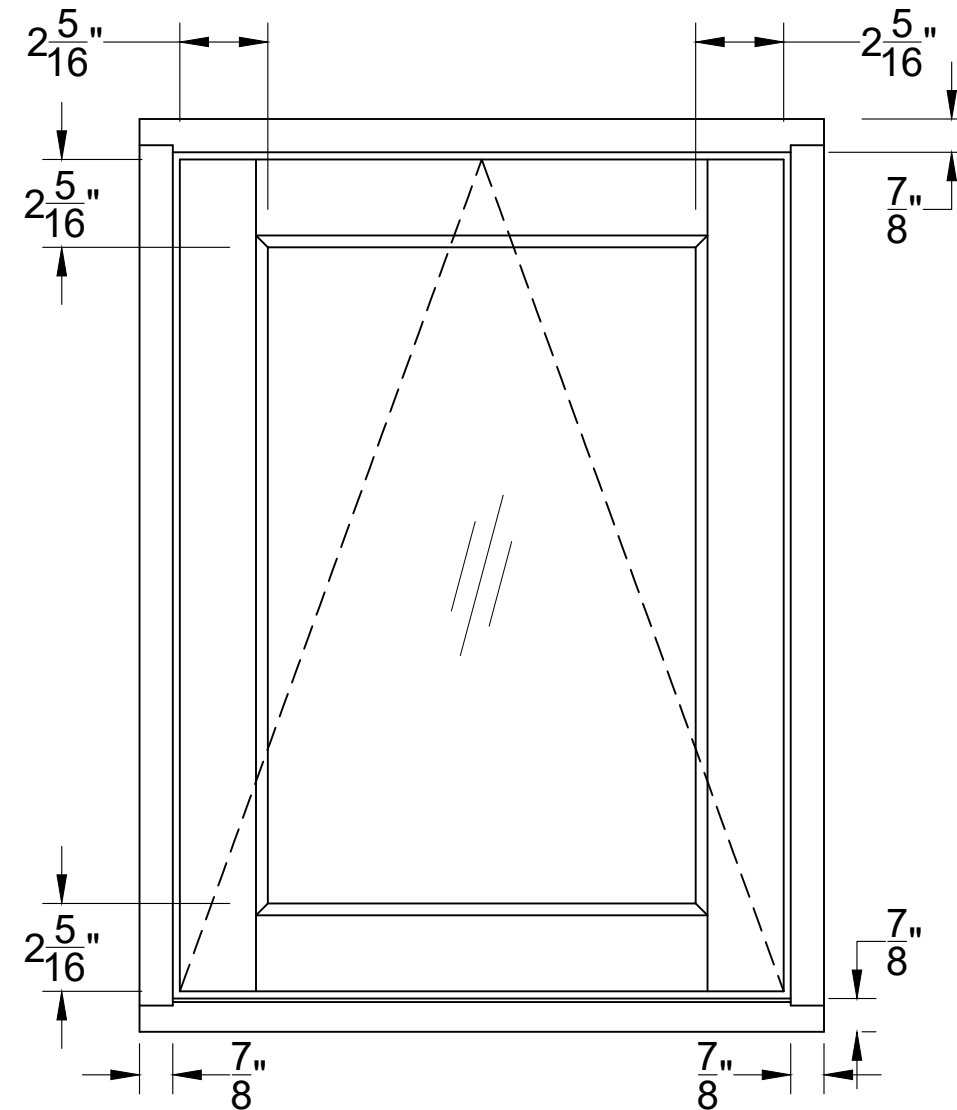
Maximum sash weight = 61lbs

Maximum window = appx 40" x 44"

Height must be \geq 66% of width

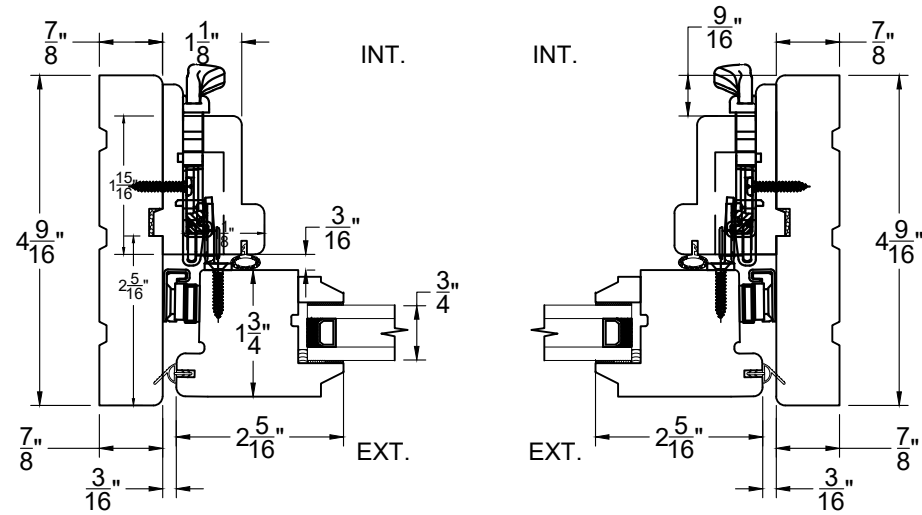
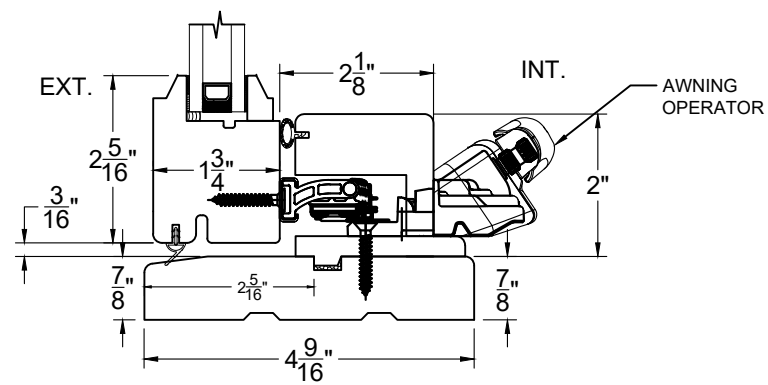
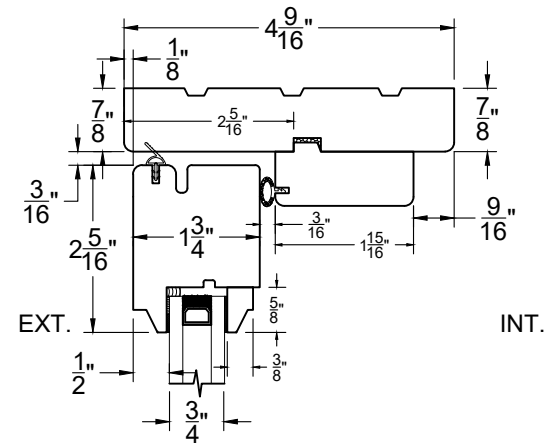
ATTENTION:

*** All drawings and specs contained herein
are shown as 1 3/4" with Classic Profile***

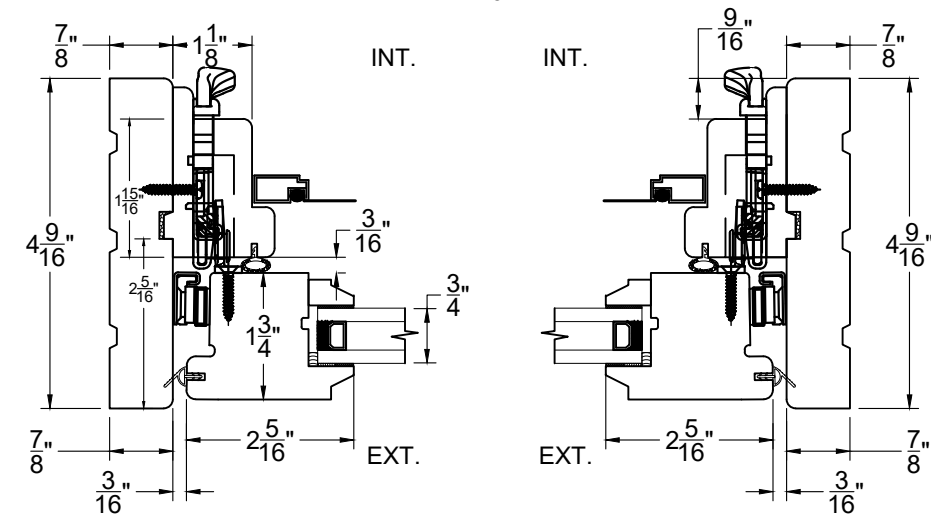
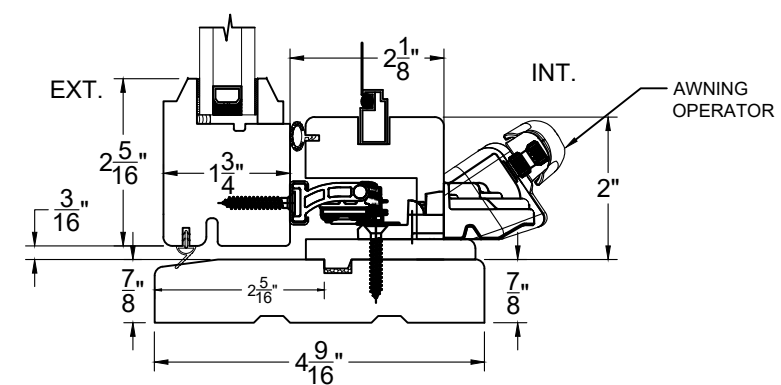
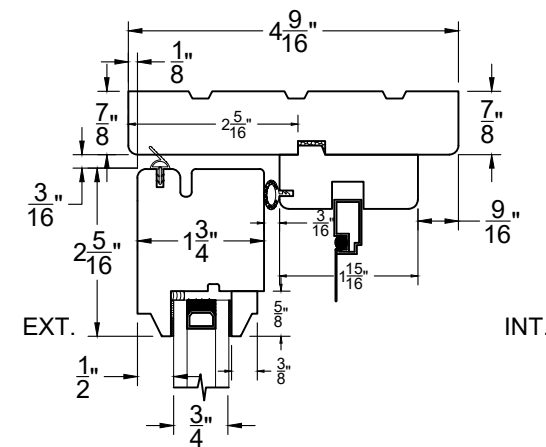


Sections

FRICITION HINGE
MULTIPOINT
NO SCREEN



FRICITION HINGE
MULTIPOINT
METAL SCREEN



ARCADIA CUSTOM – MASTER SPECIFICATION

VistaWood CRANK-OUT AWNING

TYPICAL DETAILS W/ NO SCREEN

TYPICAL DETAILS W/ METAL SCREEN