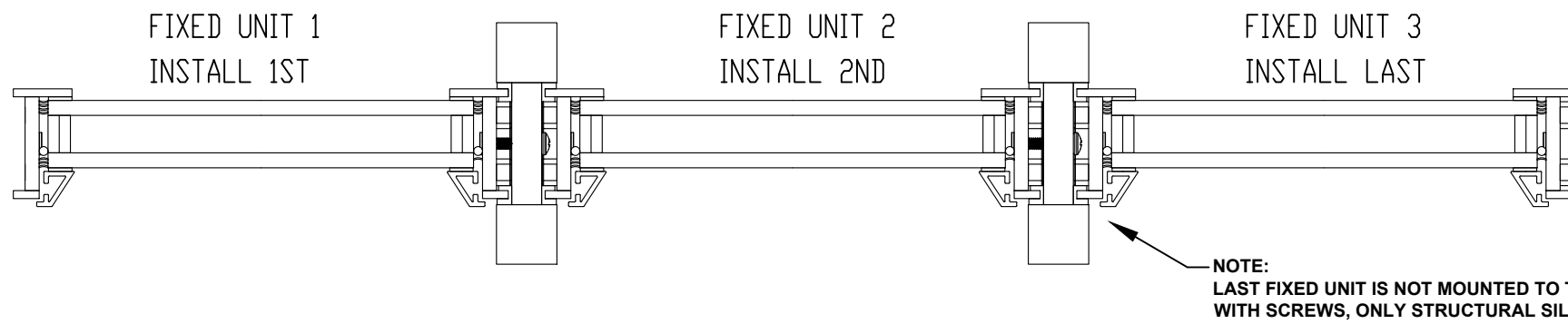
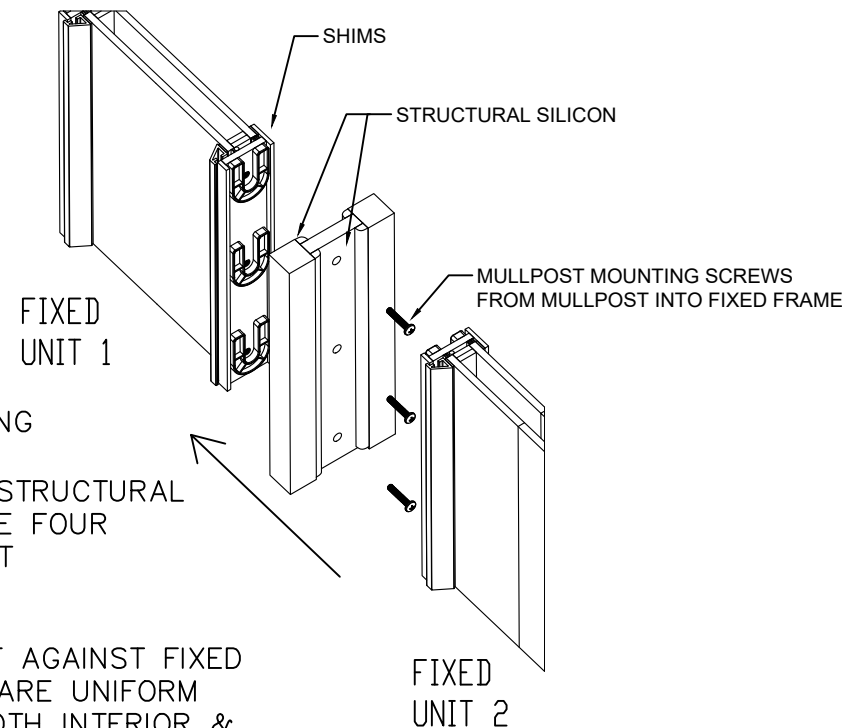


MULLPOST INSTALLATION – FIXED, FIXED, FIXED

Revision: 00
Date: 00/00/00



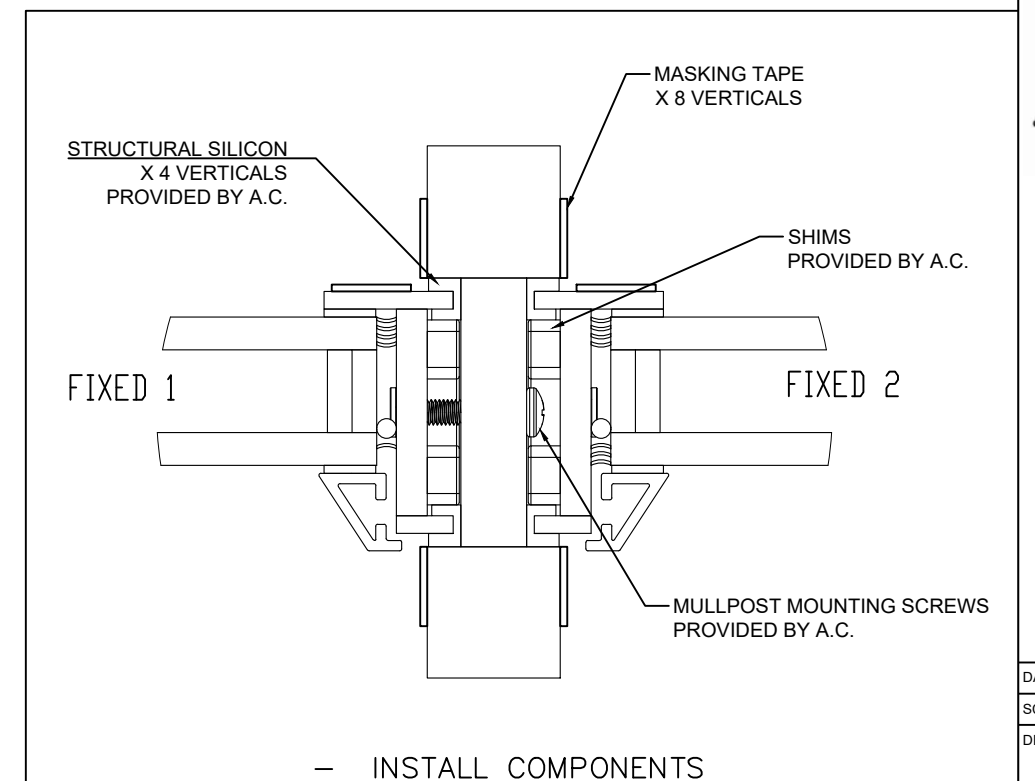
- 1.) INSTALL FIXED FRAME TO FRAMING PER MOUNTING TYPES' INSTRUCTIONS
- 2.) ADD MASKING TAPE ALONG FIXED FRAME'S VERTICALS
- 3.) ATTACH SHIMS TO FIXED FRAME USING ADHESIVE SPRAY



- 4.) ADD MASKING TAPE ALONG MULLPOST VERTICALS
- 5.) APPLY HEAVY BEAD OF STRUCTURAL SILICON, DOW 995, ALONG THE FOUR VERTICAL EDGES OF MULLPOST
- 6.) INSTALL MULLPOST AGAINST FIXED FRAME, ENSURE GAPS ARE UNIFORM ALONG VERTICAL AT BOTH INTERIOR & EXTERIOR
- 7.) APPLY TEMPORARY HOLD OF THE MULLPOST VIA MOUNTING SCREWS INTO CAPTIVE NUTS, FROM THE MULLPOST INTO THE FIXED FRAME, ENSURE GAPS ARE UNIFORM ALONG VERTICAL AT BOTH INTERIOR & EXTERIOR

- 8.) APPLY SECONDARY BEAD OF STRUCTURAL SILICON ALONG VERTICAL GAP OF MULLPOST TO FIXED FRAME
- 9.) TOOL SILICON FLUSH TO FIXED FRAME
- 10.) REMOVE MASKING TAPE

- 11.) REPEAT STEPS 2 THROUGH 10 FOR SECOND MULLPOST



INSTALLATION INSTRUCTIONS
MULLPOST INSTALLATION
FIXED, FIXED, FIXED

arcadia CUSTOM
WINDOW AND DOOR SOLUTIONS
STEEL • ALUMINUM • WOOD

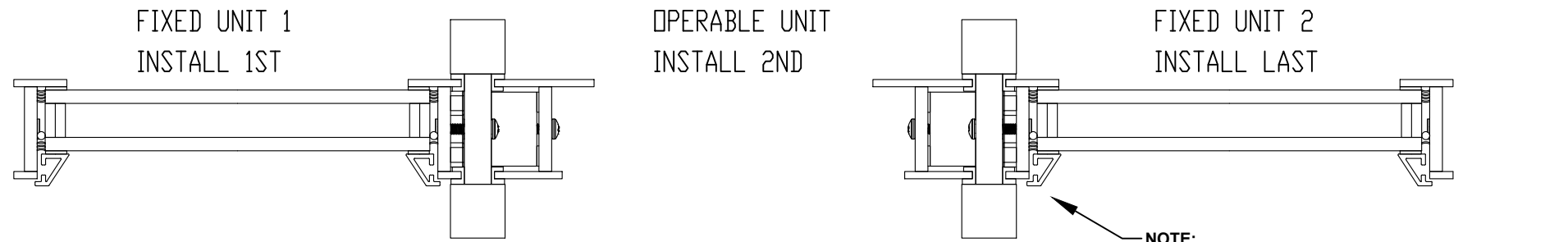
9280 E. OLD VAIL RD.
TUCSON, AZ 85747
TEL: (520) 284-2070
FAX: (520) 299-1638

DATE: DATE
SCALE: 6" = 1"
DRAWING NUMBER:

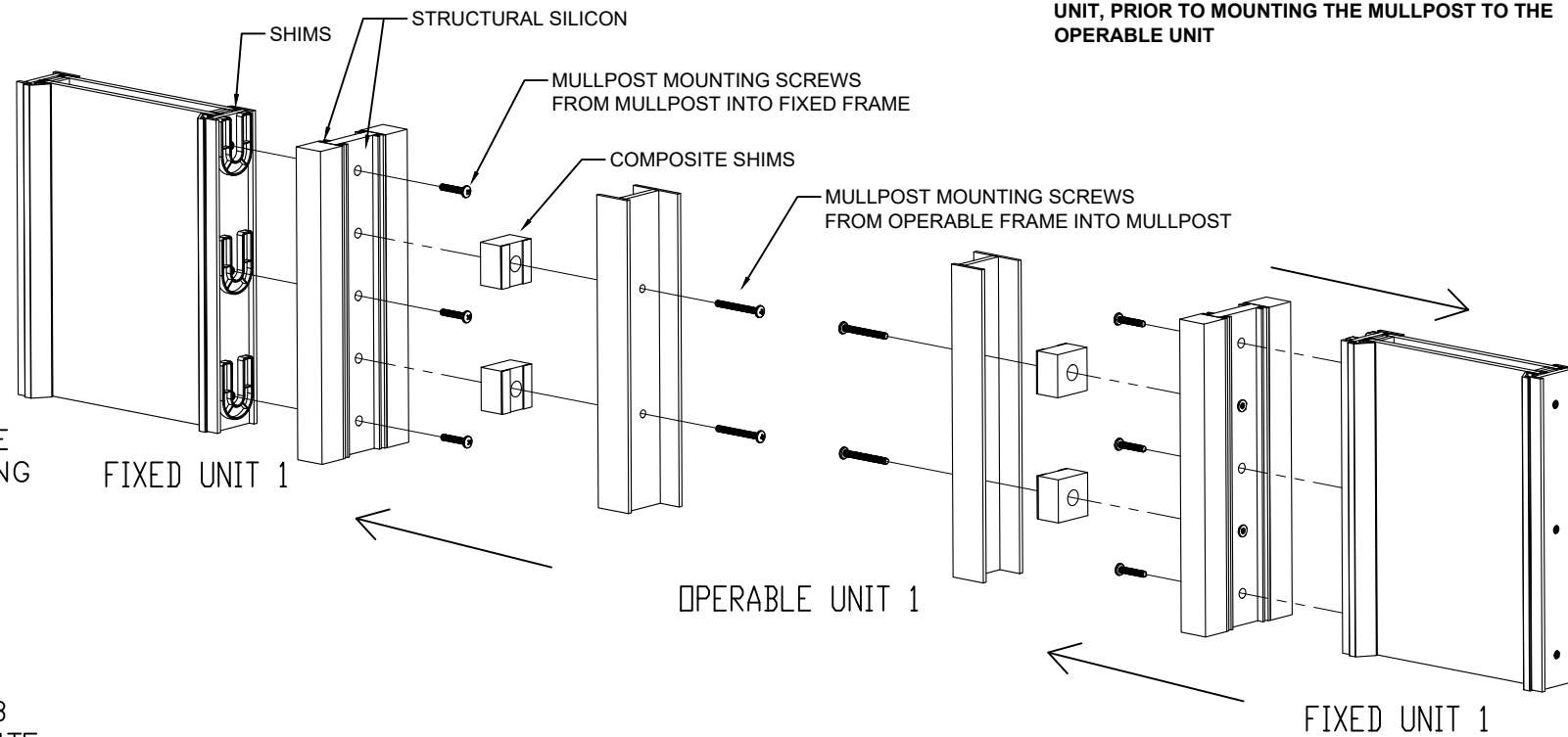
INS-3

MULLPOST INSTALLATION – FIXED, OPERABLE, FIXED

Revision: 00
Date: 00/00/00



NOTE:
MULLPOST MUST BE MOUNTED TO THE LAST FIXED UNIT, PRIOR TO MOUNTING THE MULLPOST TO THE OPERABLE UNIT



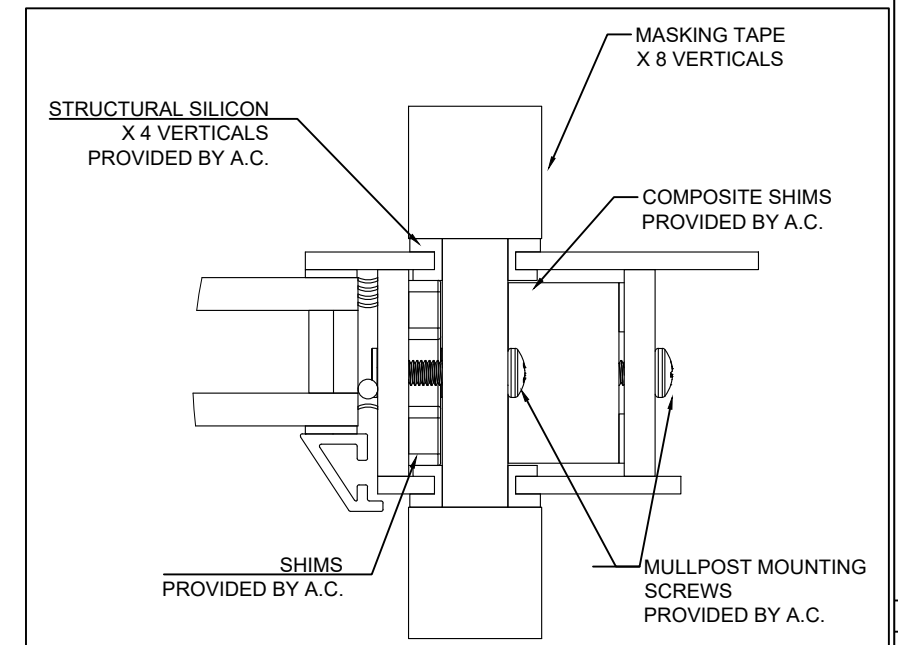
- 1.) INSTALL FIXED FRAME TO FRAMING PER MOUNTING TYPES' INSTRUCTIONS
- 2.) ADD MASKING TAPE ALONG FIXED FRAME'S VERTICALS
- 3.) ATTACH SHIMS TO FIXED FRAME USING ADHESIVE SPRAY, OR VHB IN THE CASE OF COMPOSITE SHIM

- 4.) ADD MASKING TAPE ALONG MULLPOST VERTICALS
- 5.) APPLY HEAVY BEAD OF STRUCTURAL SILICON, DOW 995, ALONG THE FOUR VERTICAL EDGES OF MULLPOST

- 6.) INSTALL MULLPOST AGAINST FIXED FRAME, ENSURE GAPS ARE UNIFORM ALONG VERTICAL AT BOTH INTERIOR & EXTERIOR
- 7.) APPLY TEMPORARY HOLD OF THE MULLPOST VIA MOUNTING SCREWS INTO CAPTIVE NUTS, FROM THE MULLPOST INTO THE FIXED FRAME, ENSURE GAPS ARE UNIFORM ALONG VERTICAL AT BOTH INTERIOR & EXTERIOR

- 8.) APPLY SECONDARY BEAD OF STRUCTURAL SILICON ALONG VERTICAL GAP OF MULLPOST TO FIXED FRAME
- 9.) TOOL SILICON FLUSH TO FIXED FRAME
- 10.) REMOVE MASKING TAPE

- 11.) REPEAT STEPS 2 THROUGH 10 FOR SECOND MULLPOST



– INSTALL COMPONENTS

INSTALLATION INSTRUCTIONS
MULLPOST INSTALLATION
FIXED, OPERABLE, FIXED

arcadia CUSTOM
 WINDOW AND DOOR SOLUTIONS
 STEEL • ALUMINUM • WOOD

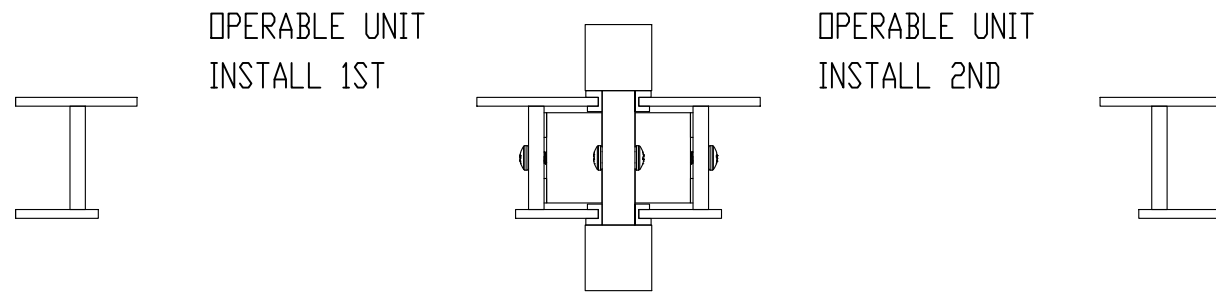
9280 E. OLD VAIL RD.
 TUCSON, AZ 85747
 TEL: (520) 284-2070
 FAX: (520) 299-1638

DATE: DATE
SCALE: 6" = 1"
DRAWING NUMBER:

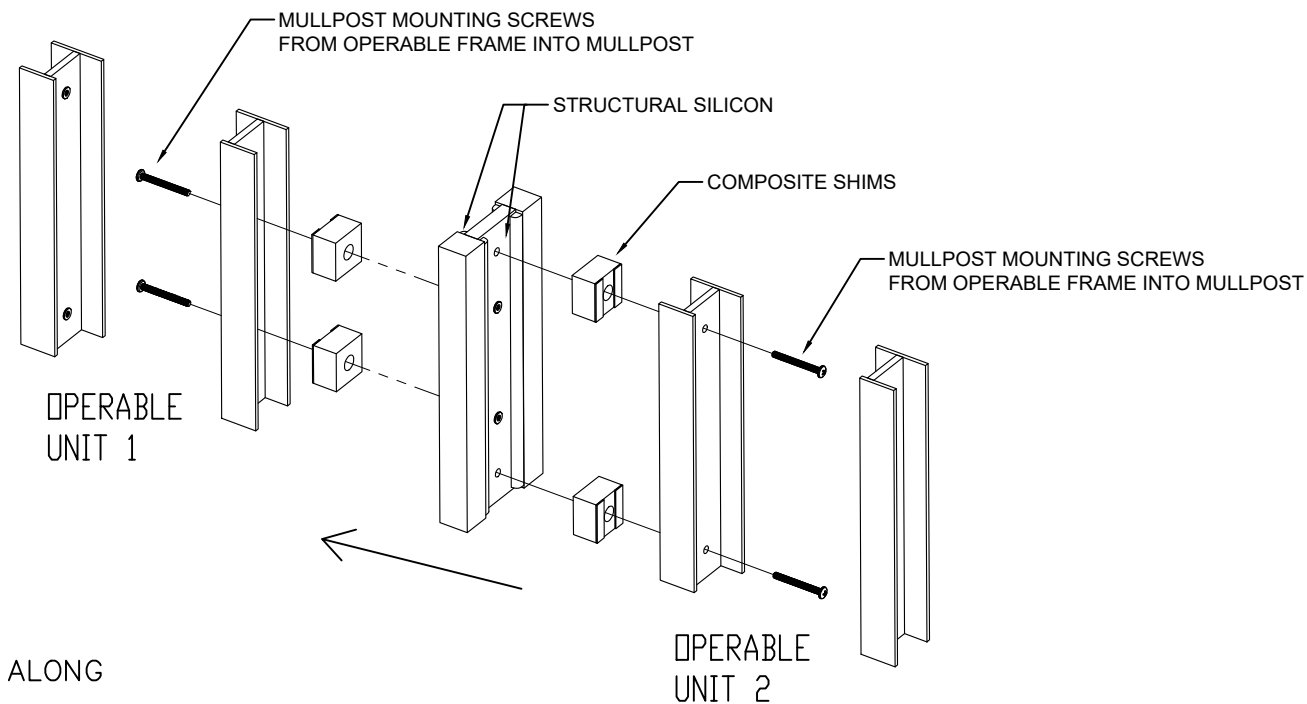
INS-4

MULLPOST INSTALLATION – OPERABLE TO OPERABLE

Revision: 00
Date: 00/00/00



- 1.) INSTALL OPERABLE FRAME TO FRAMING PER MOUNTING TYPES' INSTRUCTIONS
- 2.) ADD MASKING TAPE ALONG FIXED FRAME'S VERTICALS
- 3.) ATTACH SHIMS TO OPERABLE FRAME USING DOUBLE SIDED TAPE

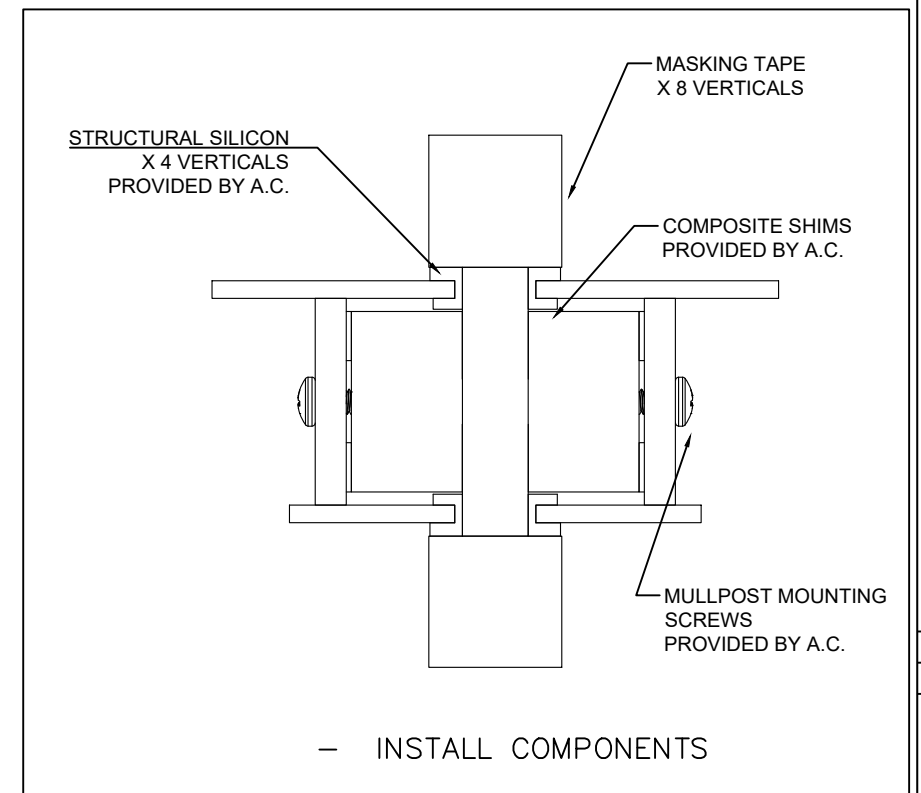


- 4.) ADD MASKING TAPE ALONG MULLPOST VERTICALS
- 5.) APPLY HEAVY BEAD OF STRUCTURAL SILICON, DOW 995, ALONG THE FOUR VERTICAL EDGES OF MULLPOST

- 6.) INSTALL MULLPOST AGAINST FRAME, ENSURE GAPS ARE UNIFORM ALONG VERTICAL AT BOTH INTERIOR & EXTERIOR
- 7.) APPLY TEMPORARY HOLD OF THE MULLPOST VIA MOUNTING SCREWS INTO CAPTIVE NUTS, FROM THE MULLPOST INTO THE FIXED FRAME, ENSURE GAPS ARE UNIFORM ALONG VERTICAL AT BOTH INTERIOR & EXTERIOR

- 8.) APPLY SECONDARY BEAD OF STRUCTURAL SILICON ALONG VERTICAL GAP OF MULLPOST TO FIXED FRAME
- 9.) TOOL SILICON FLUSH TO FIXED FRAME
- 10.) REMOVE MASKING TAPE

- 11.) REPEAT STEPS 2 THROUGH 10 FOR SECOND MULLPOST



INSTALLATION INSTRUCTIONS
MULLPOST INSTALLATION
OPERABLE, OPERABLE

arcadia custom
 WINDOW AND DOOR SOLUTIONS
 STEEL • ALUMINUM • WOOD

9280 E. OLD VAIL RD.
 TUCSON, AZ 85747
 TEL: (520) 284-2070
 FAX: (520) 299-1638

DATE: DATE
SCALE: 6" = 1'
DRAWING NUMBER:

INS-5