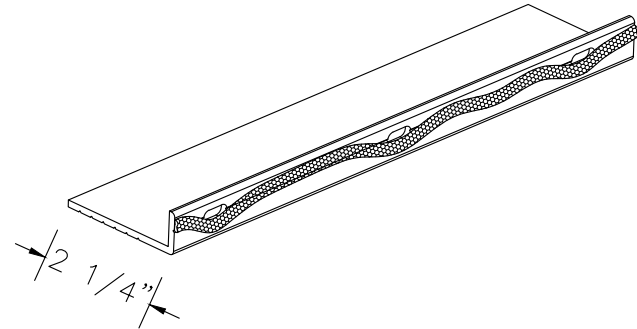
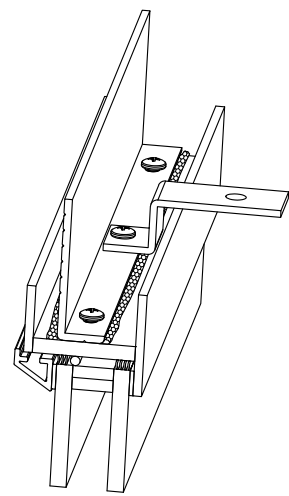


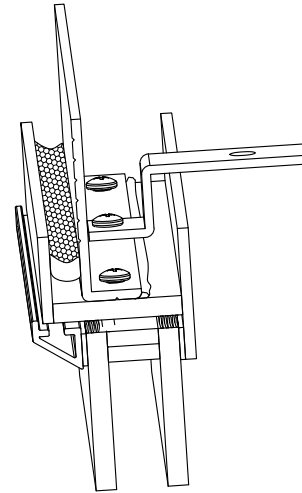
NAIL FIN 2 1/4"



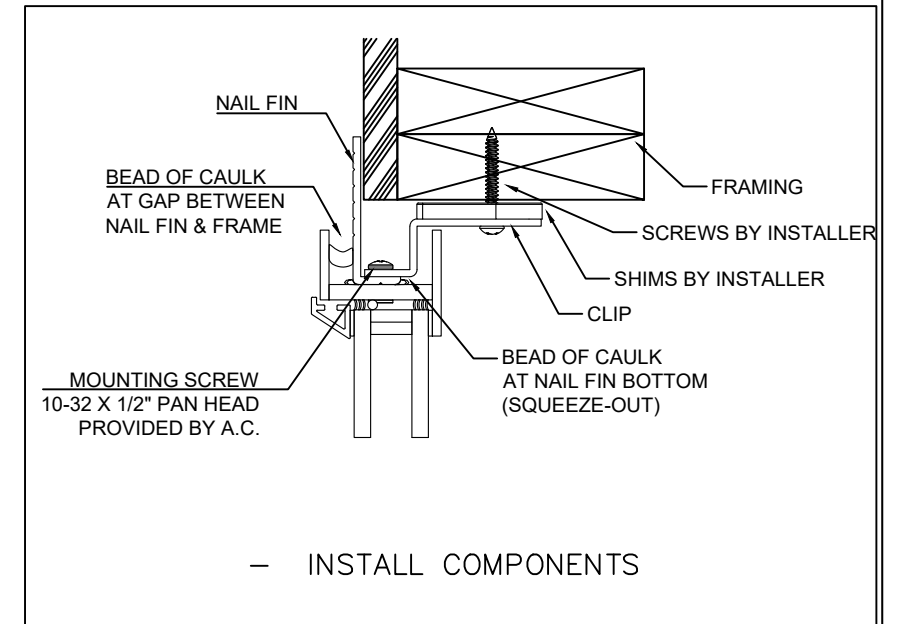
1.) APPLY A HEAVY BEAD OF CAULK ALONG THE BOTTOM OF THE NAIL FIN



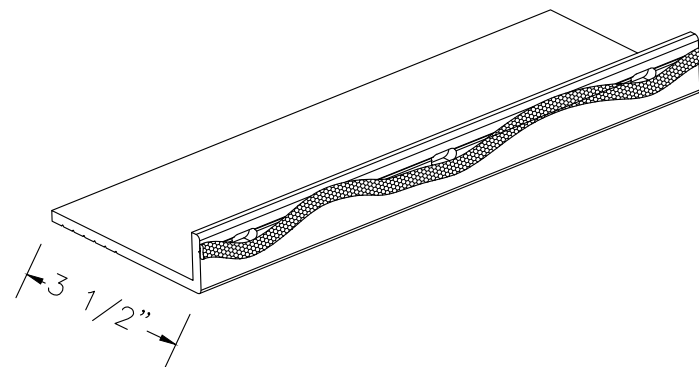
2.) ALLOW CAULK SQUEEZE-OUT (DO NOT TOOL IT DOWN)



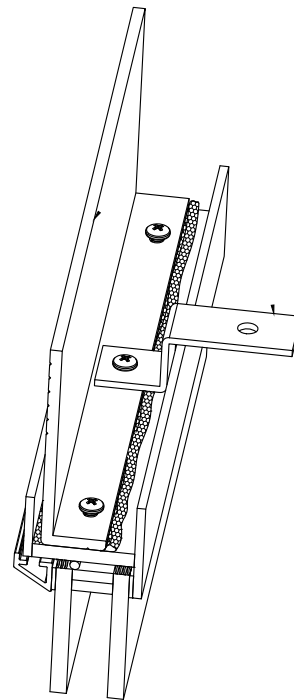
3.) ADD A SECOND HEAVY BEAD OF CAULK AT EXTERIOR, BETWEEN NAIL FIN AND FRAME



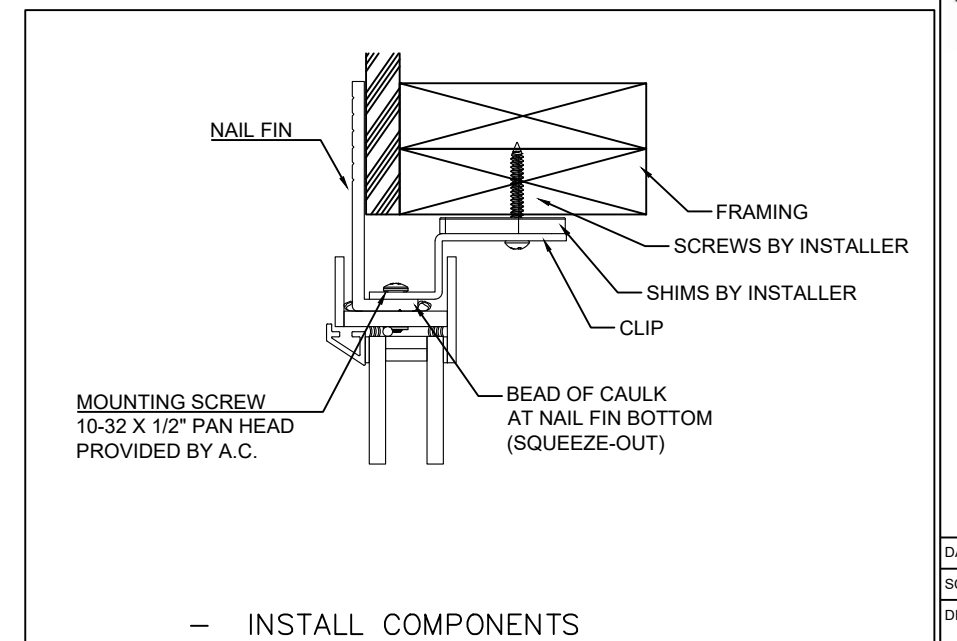
NAIL FIN 3 1/2"



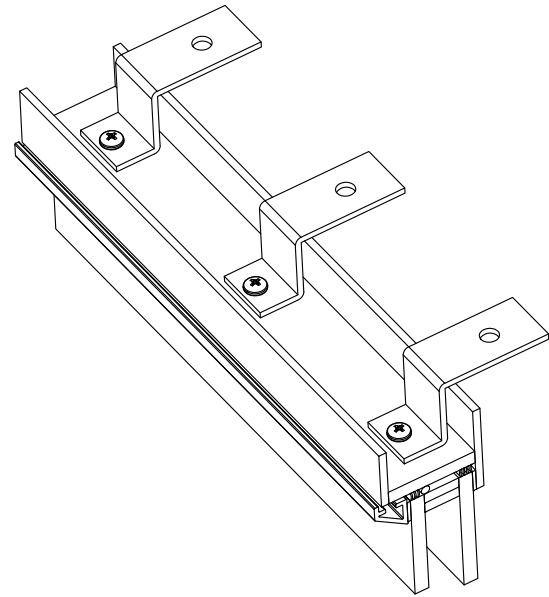
1.) APPLY A HEAVY BEAD OF CAULK ALONG THE BOTTOM OF THE NAIL FIN



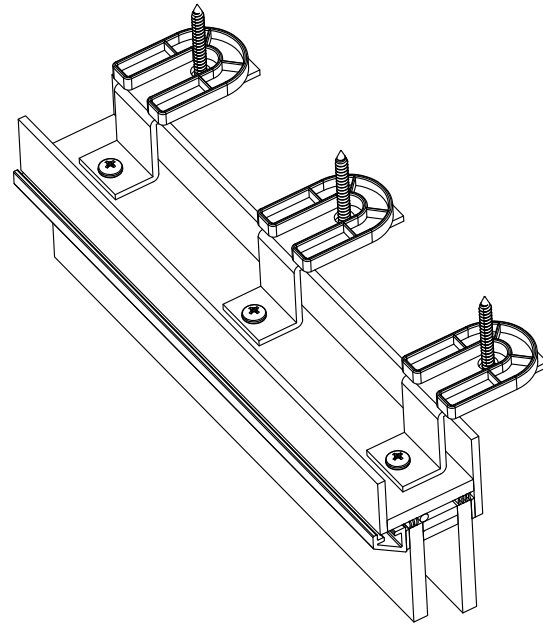
2.) ALLOW CAULK SQUEEZE-OUT (DO NOT TOOL IT DOWN)



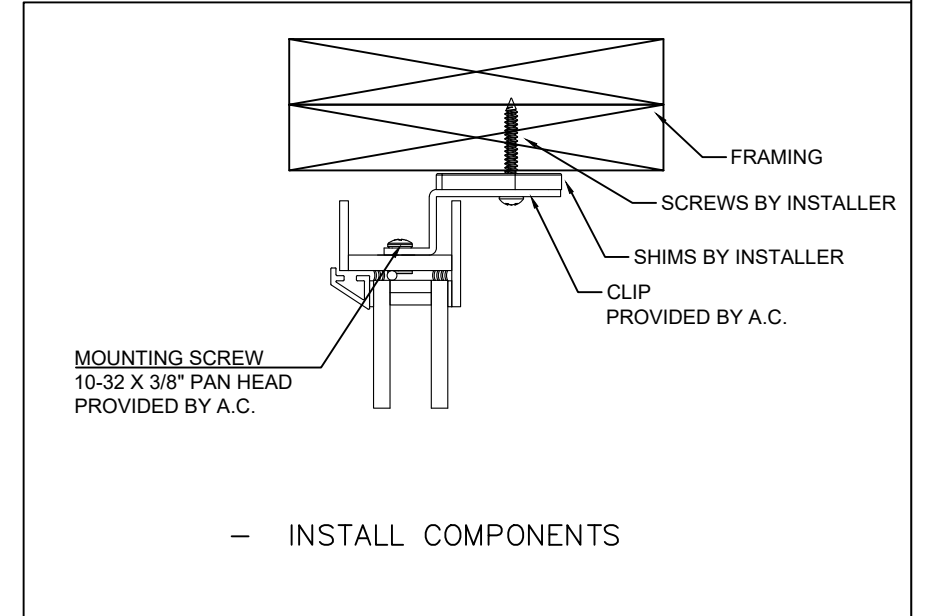
CLIP



1.) INSTALL CLIP ONTO FRAME AT CAPTIVE NUT LOCATIONS USING MOUNTING SCREWS

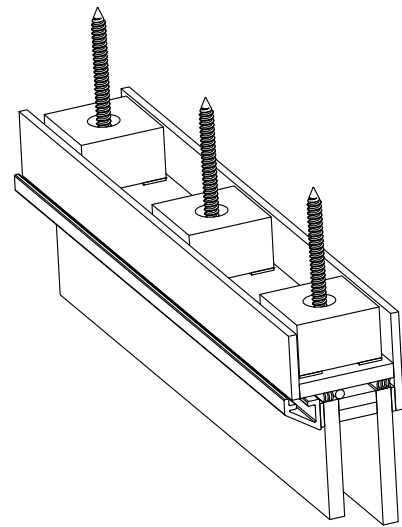


1.) INSTALL CLIP TO FRAMING VIA SHIMMING & SCREWS BY INSTALLER

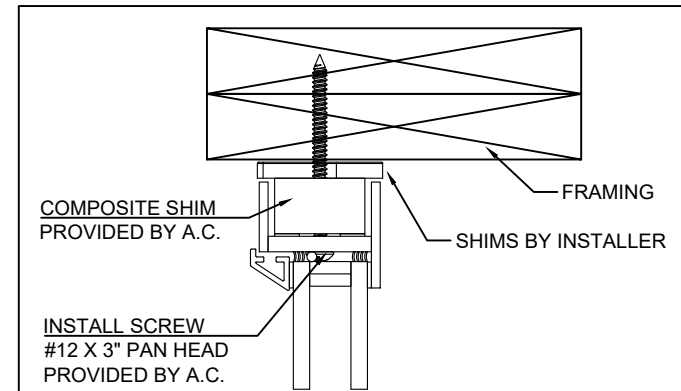


— INSTALL COMPONENTS

DIRECT ANCHOR

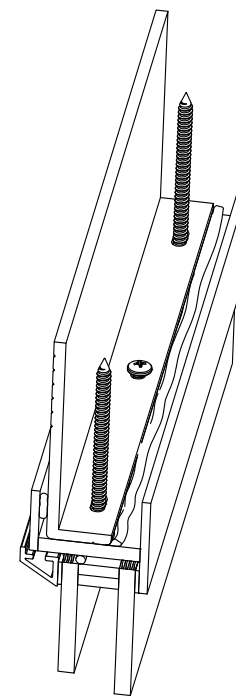


1.) INSTALL COMPOSITE SHIM ONTO FRAME USING DOUBLE SIDED TAPE,
2.) INSTALL UNIT USING INSTALL SCREWS

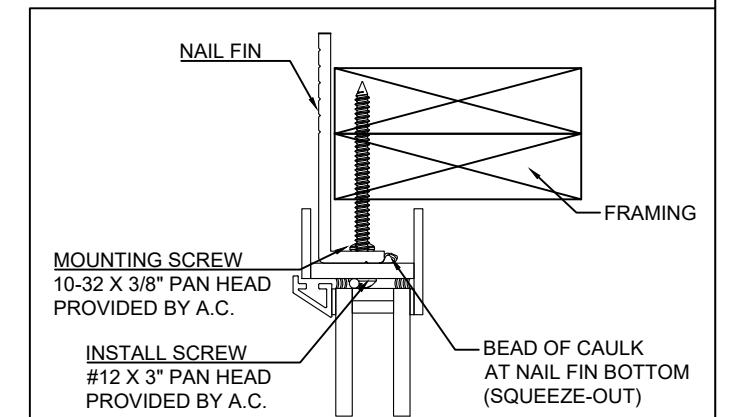


— INSTALL COMPONENTS

DIRECT ANCHOR WITH NAIL FIN



1.) INSTALL NAIL FIN AT CAPTIVE NUT LOCATIONS USING MOUNTING SCREWS,
2.) INSTALL UNIT THROUGH FRAME USING INSTALL SCREWS



— INSTALL COMPONENTS