



DOOR AND WINDOW SOLUTIONS

STEEL - ALUMINUM - WOOD

T225 Series Thermal Aluminum Windows

Installation Instructions

T225 Series Windows Installation Instructions

GENERAL INSTRUCTIONS

THESE INSTALLATION INSTRUCTIONS ARE RECOMMENDATIONS ONLY. FOR MORE DETAILED INSTRUCTIONS APPLICABLE TO THE TYPE OF INSTALLATION THAT IS INTENDED FOR THIS PRODUCT, PLEASE REFER TO THE CURRENT VERSION OF AMERICAN ARCHITECTURAL MANUFACTURERS ASSOCIATION AAMA 2400, STANDARD PRACTICE FOR INSTALLATION OF WINDOWS WITH A MOUNTING FLANGE IN STUD FRAME CONSTRUCTION. THE CURRENT VERSION OF AMERICAN SOCIETY FOR TESTING AND MATERIALS INTERNATIONAL ASTM E2112; STANDARD PRACTICE FOR INSTALLATION OF EXTERIOR WINDOWS, DOORS, AND SKYLIGHTS. INFORMATION MAY BE OBTAINED AT WWW.AAMANET.ORG OR WWW.ASTM.ORG.

Check that opening is Level (in horizontal plane), Plumb (in the vertical plane), True (across both planes), and Square (across the diagonals) before proceeding with installation of this product.

Measure this product prior to installation, for sufficient clearance between product frame and opening.

The installation of the correct type of flashing and compatible sealant in the opening is critical to maintaining the weather resistant barrier. Please follow the flashing and compatible sealant manufacturer's specifications and installation details.

Sealing between this fenestration product and the flashed opening should be completed with the appropriate type of compatible sealant, recommended by the compatible sealant manufacturer for the type of application. The compatible sealant manufacturer's recommended application instructions for proper joint size and sealing technique must be followed.

Making sure that sashes or operating panels are closed and locked during installation; center this product into opening checking and measuring for level, plumb, true, and square.

This product should only be secured to the opening when it is level, plumb, true, and square. Follow the appropriate fastener schedule for fastener size and spacing. Fasteners should be selected and installed to secure the weight, wind load and temperature variations of this product to meet the current building codes, applicable for the region. Projected windows are not self-supporting, and require supports and bracing.

Check this unit for ease of operation immediately after installation and that it is in good working condition. It is important that all weep holes remain unobstructed. Clean using only mild detergents and non-etching cleaning agents. Do not use hydrocarbon fuels or solvents, paint removers, aggressive alkaline, acidic, or abrasive cleaners, cleaners containing trisodium phosphate, organic solvents, strong soaps or detergents to clean this product.

MANUFACTURER MAKES NO WARRANTY, EXPRESSED OR IMPLIED, WITH RESPECT TO THESE INSTRUCTIONS OR ANY THIRD-PARTY INSTRUCTIONS, AND MANUFACTURER SHALL NOT BE LIABLE FOR ANY DAMAGE OR LIABILITY THAT MAY ARISE IN CONNECTION WITH THE INSTALLATION OF THIS PRODUCT NOT PERFORMED BY MANUFACTURER.

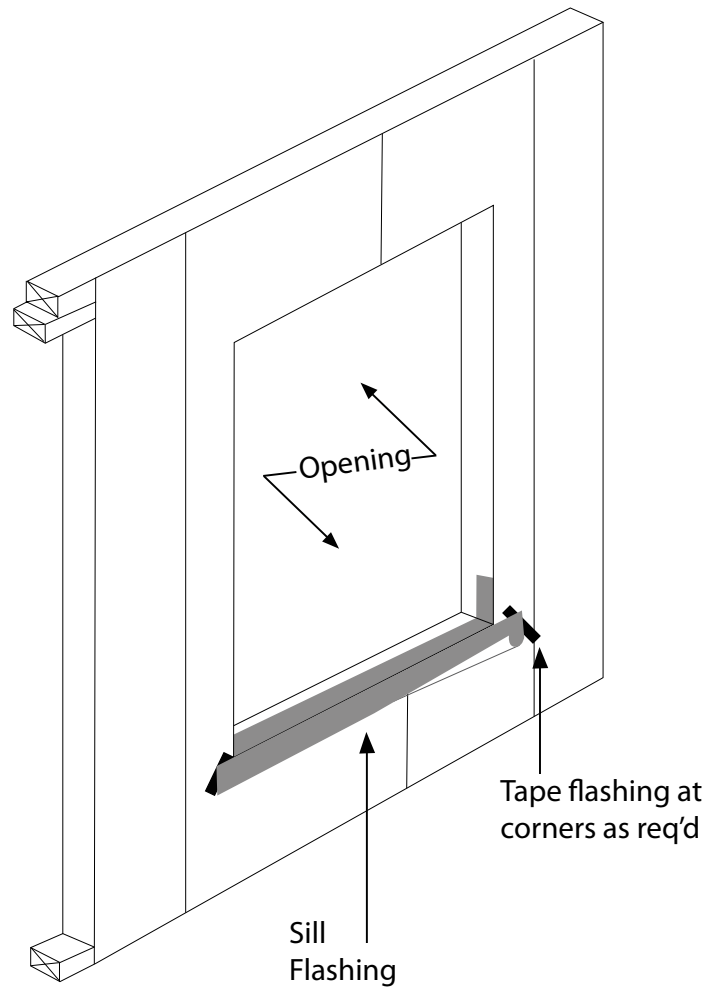
General instructions available in Spanish upon request.

Las instrucciones generales disponibles en español sobre la petición.

IMPORTANT NOTE: Arcadia Custom T225 Windows are intended to be installed by a qualified, licensed C17 glazing contractor and are to be installed following published standards of the latest versions, including but not limited to: American Society for Testing and Materials (ASTM) E2112, American Architectural Manufacturers Association (AAMA) 2400, and Glass Association of North America (GANA) Glazing Manual. All Arcadia Custom provided products must be installed in accordance with the aforementioned standards and Arcadia Custom published installation instructions. Once the frames are delivered, it is the distributor (Arcadia Custom Customer) / installer's responsibility to meet the standards of the industry to supply a weather-resistant and well-functioning installation. Failure to fully comply in any respect with these instructions (or with provisions contained in this paragraph) will void the Warranty provided.

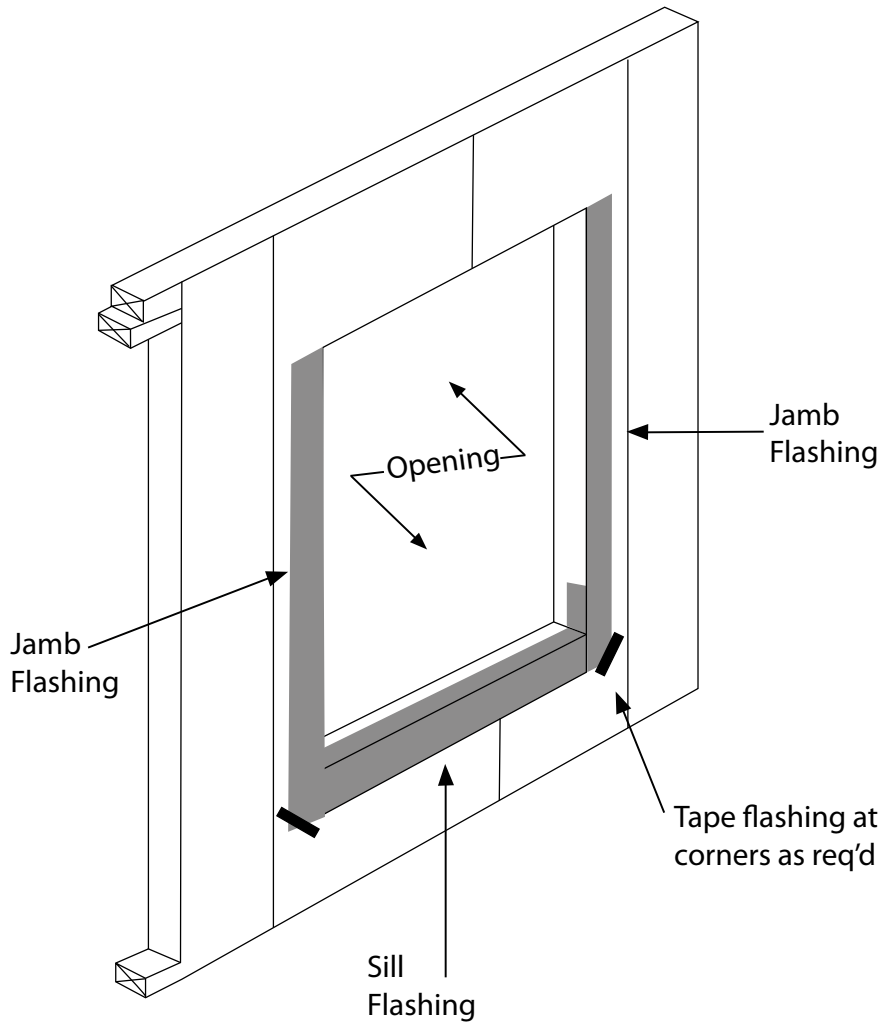
Sill Flashing

- Cut flashing to extend 9" beyond each end of rough opening.
- Apply sill flashing level with top edge of rough opening.
- Staple 12" to 16" apart, along top edge where staples will be covered by the mounting flange.
- Do not staple top edge last 9" of each end.
- Do not staple bottom edge.
- Tape corners if flashing may be damaged by wind.



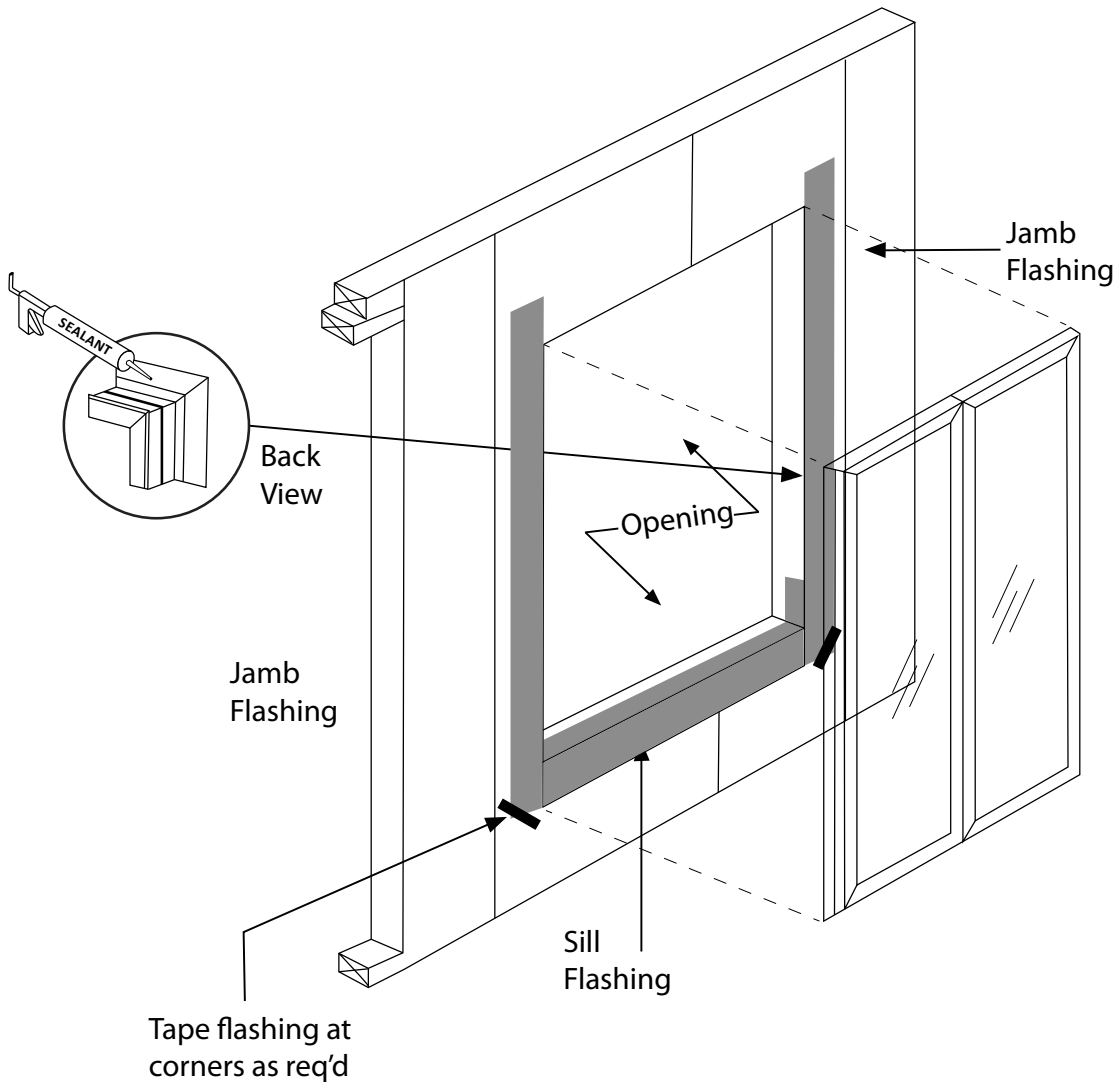
Jamb Flashing

- Cut jamb flashing just long enough to extend 8 1/2" beyond the head and sill of the rough opening.
- Apply flashing so it overlaps the previously applied sill flashing.
- Staple flashing to the rough framing at the jambs.
- Do not staple below bottom edge of window so weather resistant barrier can be slipped underneath the flashing later.
- Tape corners if flashing may be damaged by wind.



Install Window

- Apply a continuous bead of compatible sealant to the back side of the mounting flange 1/2" in from the outer edge of flange where fasteners will penetrate. "See "Sealants" on page 5.
- Set window into place.
- Shim if needed. See "Shims" on page 5.
- Tack an upper corner (on the side, not the top.)
- Adjust shims if necessary to achieve a level, square and plumb installation.
- Tack lower corner diagonally opposite the tacked upper corner. See "Fasteners" on pages 5 & 6.
- Continue to fasten sides, top, and bottom, rechecking level, square and plumb.
- Do not over-tighten. Fastener heads should not over-compress and distort in any way the flange.



Sealants

- Use manufacturer recommend sealant.
- Cut nozzle at 45°.
- Use a 3/8" diameter head unless otherwise instructed.
- Apply compatible sealant in a continuous bead 1/2" in from the outer edge of flange where fasteners will penetrate.
- Install the window immediately after compatible sealant application.
- Do not caulk multiple window units that cannot be installed within 15 minutes.
- Sealant should squeeze our around the entire perimeter, indicating a continuous seal.

Shims

General Shim Application

- Position shims where support is needed.
- Do not over or under shim. Both can cause distortion.
- Shims should be positioned so the window frame does not vary more than +- 1/16" from being straight.

Shim Top and Sides

- Use lateral shims between side jambs and frame to square window.
- Shims used for spacing at anchor points must be penetrated by the anchor. Trim as needed but do not remove.
- Temporary shims used for leveling and squaring may be removed after window is securely fastened.

Tapered Shims

- Always use two tapered shims stacked in opposite directions.
- Outside surfaces of shims must be parallel.

Bottom Shims

- Rest window on level rough sill or setting shims or setting blocks.
- When a double rough sill exists, shims may be forced between the two members to level the top one.
- Support the sill in a straight and level position at three or more points.
- Place shims 3" from the ends and at the middles unless otherwise instructed.
- Support windows wider than 30" with shims spaced no more than 12" apart.

Fasteners

- Use fasteners that are:

Corrosion resistant and compatible with the materials contacted/penetrated.

Long enough to sufficiently penetrate the substrate (sheathing, studs, blocking, etc.)

Compliant with installation instructions and local code requirements.

- Fastener heads must be wide enough to cover the holes drilled into the mounting flange.

- Avoid over-compressing the flange when driving screws into nail-on mounting flanges.

- Start the nailing/screwing sequence on the jamb section, not the head section.

Attaching the Head

- The head must be secured in a way that protects it from deflection of the header and expansion of the product.

Use elongated installation holes in the flange, or

Use special anchor clips that will allow for the anticipated movement.

- Insert fasteners through elongated holes and tighten just enough to hold the flange against the wall. Do not over-tighten.

Head Flashing

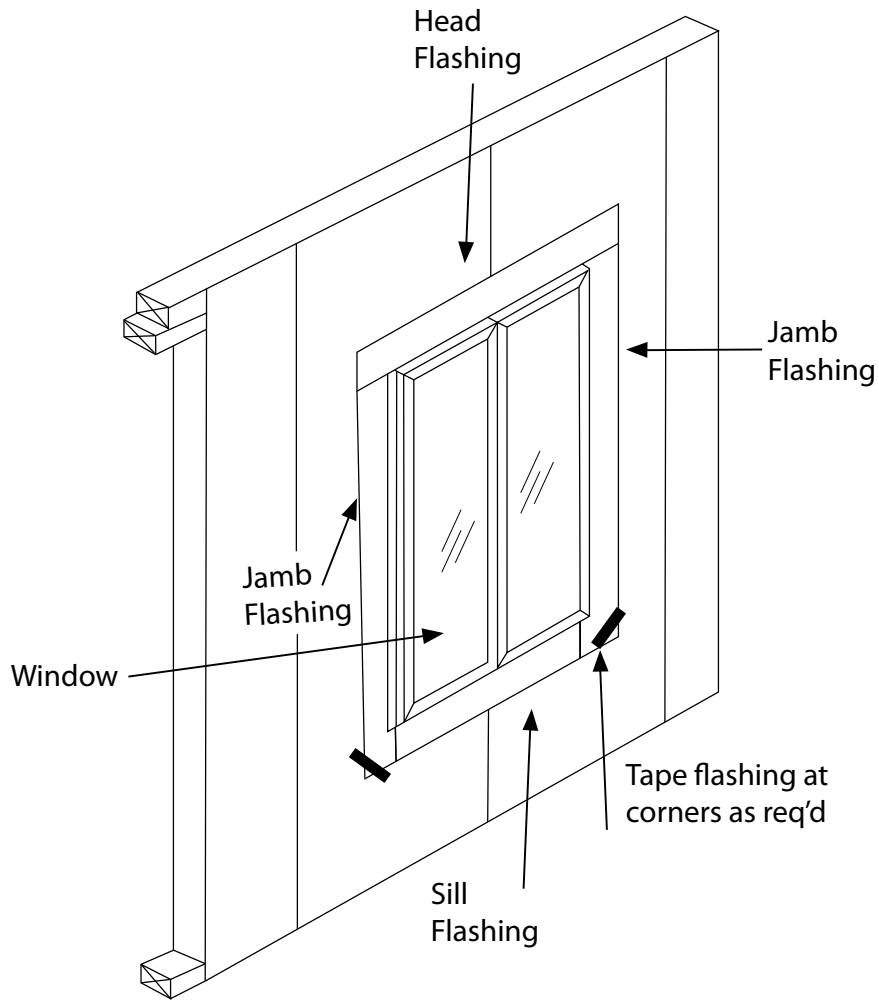
- Cut head flashing to extend 1" beyond each jamb flashing.

- Apply bead of compatible sealant at the head of the installed window over fasteners.

- Do not extend compatible sealant bead beyond the mounting flange.

- Press head flashing into compatible sealant bead.

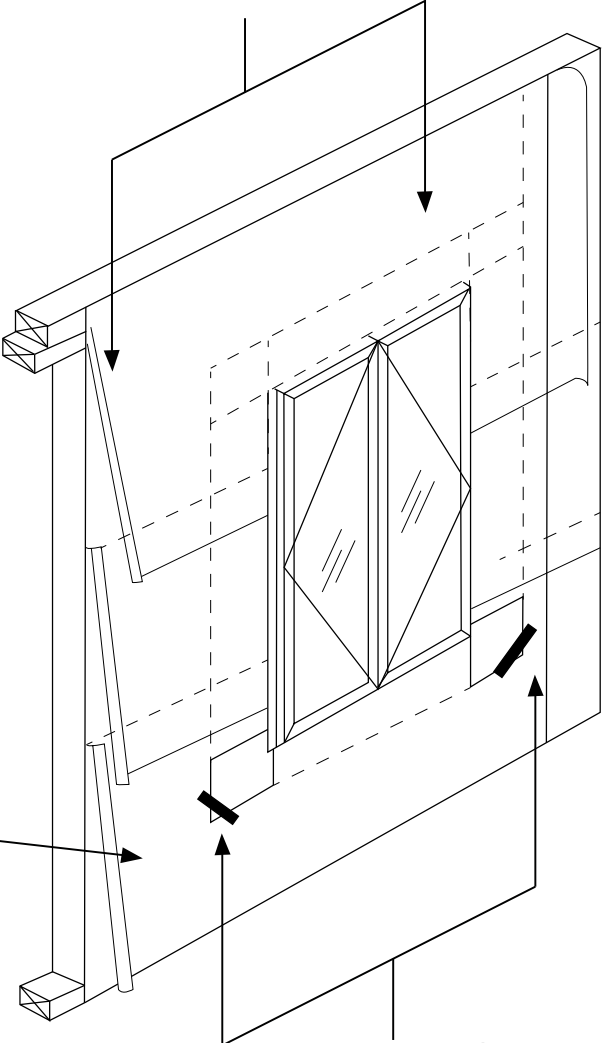
- Attach the head flashing with staples along the top edge



Intergrate Flashing and Weather Resistance Barrier (WRB)

- Start at base of wall and work towards top.
- Tuck WRB under the sill flashing and the loose ends of the jamb flashing.
- After securing the WRB, tape or staple loose ends of jamb and sill flashing.
- Continue to apply WRB in a weather board fashion, up and over jamb flashing and head flashing.

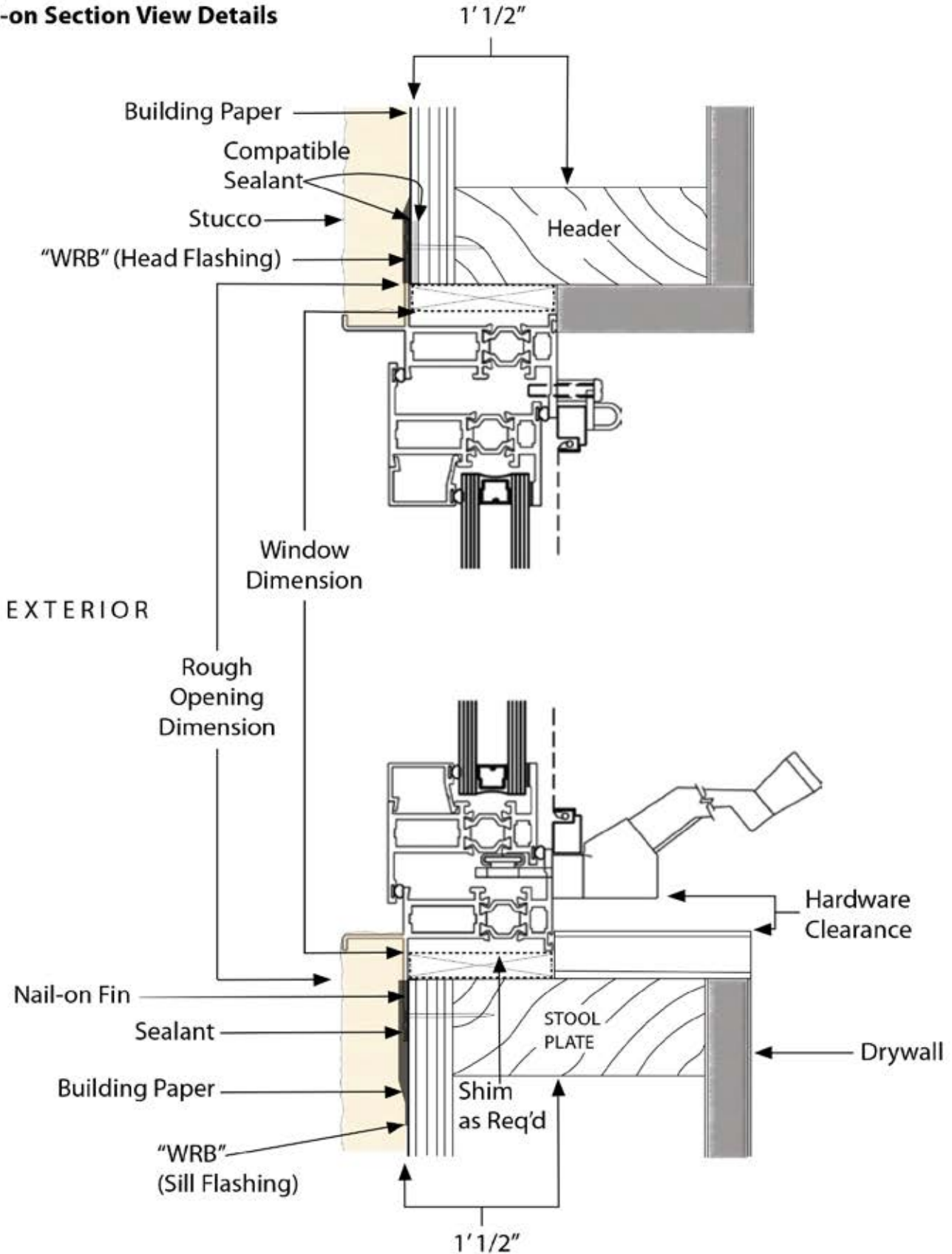
Continue to apply WRB with each row overlapping the top of the course below.



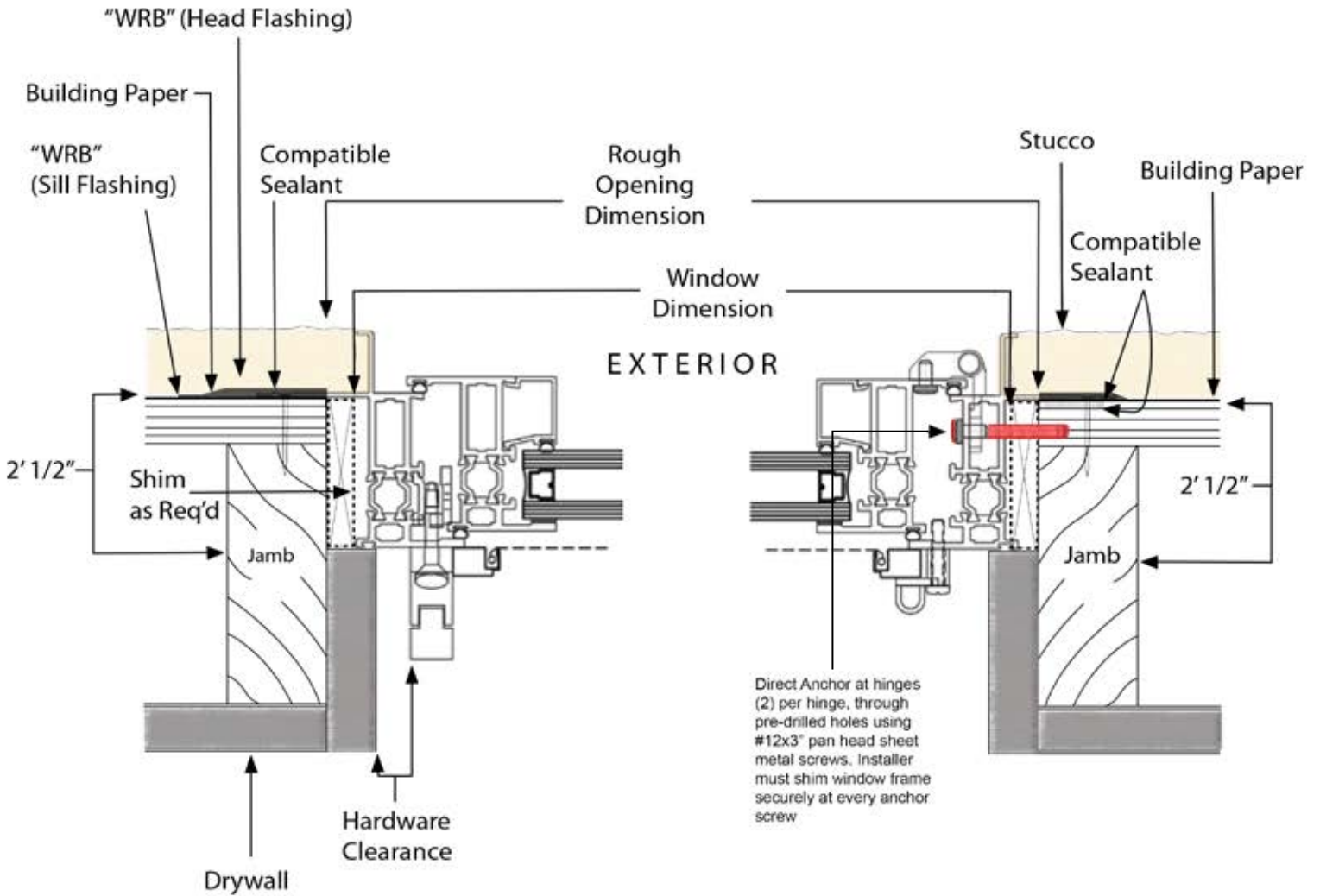
Apply WRB setting first course under sill flashing and end of jamb flashing

Tape or staple flashing securely into position after application of WRB

Nail-on Section View Details



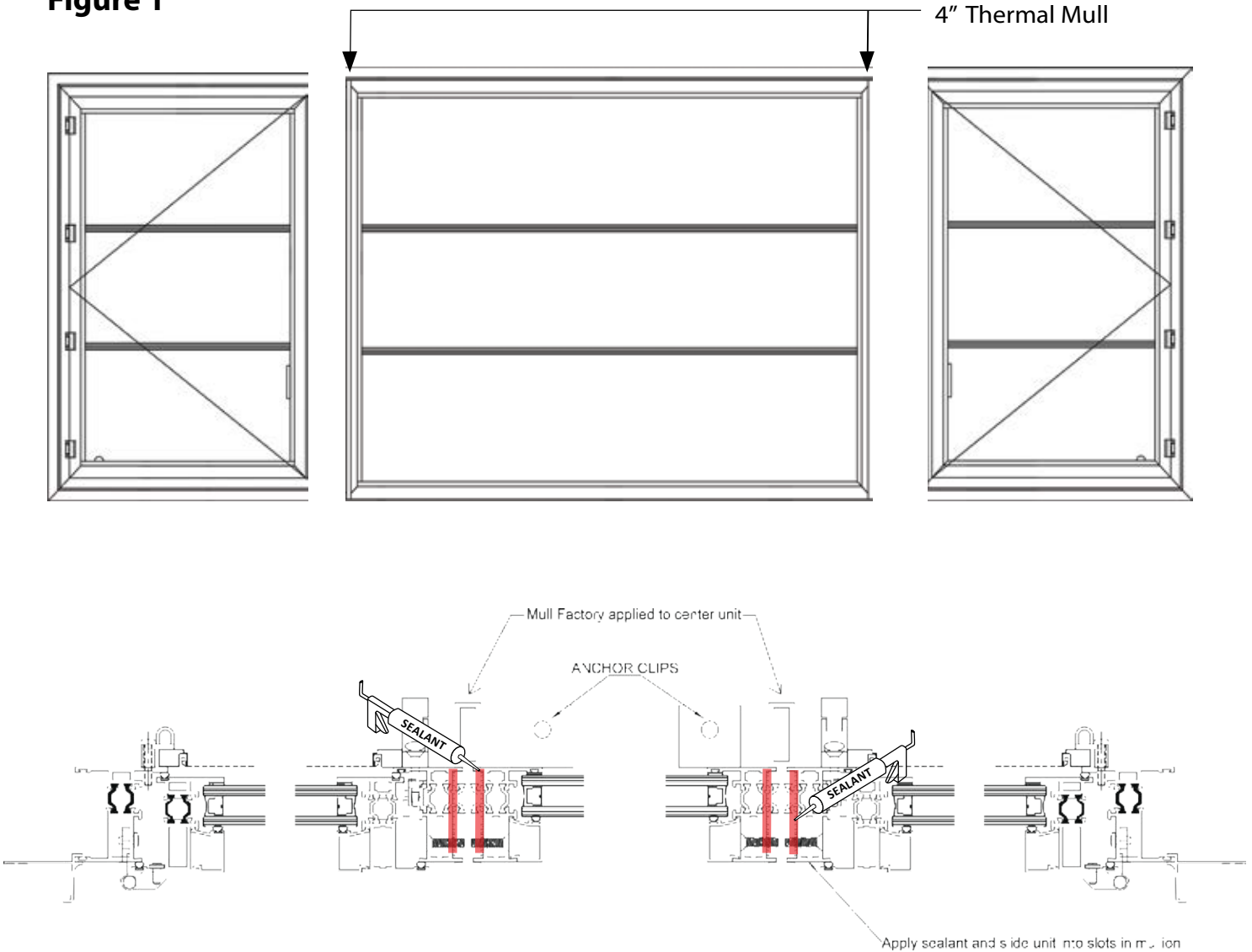
Nail-on Plan View Details



Mullions

- Center components comes with the mullions factory see Fig 1.

Figure 1



The two operable windows will be field mullied. Apply sealant as shown and slide the legs of the operable windows into the thermal mullion, open the sash and reinstall the screws into the factory pre-drilled and tapped holes. Wipe off excess sealant.

