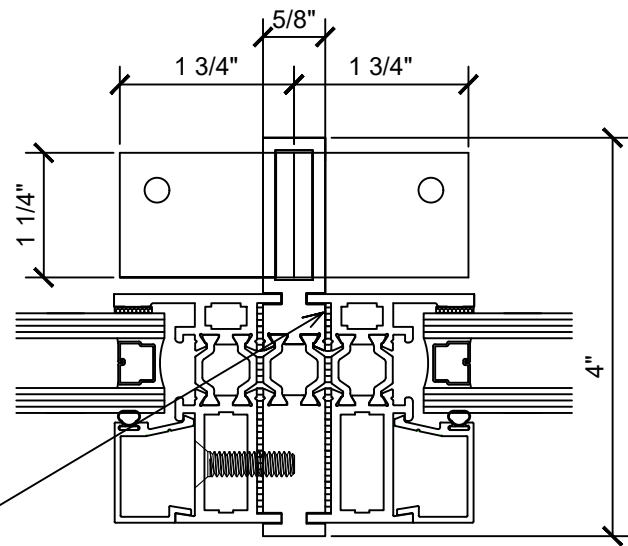
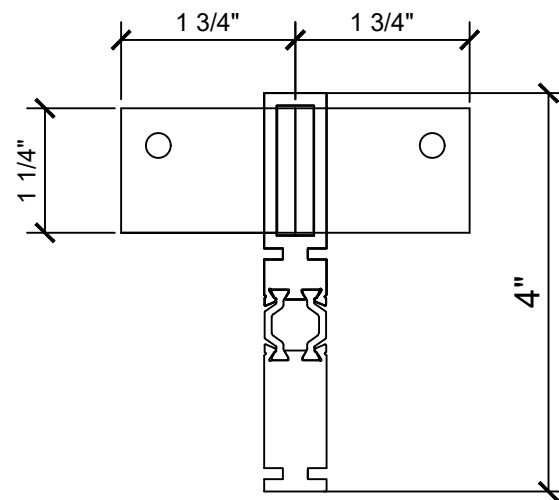


### 4" Mullion Anchor Detail

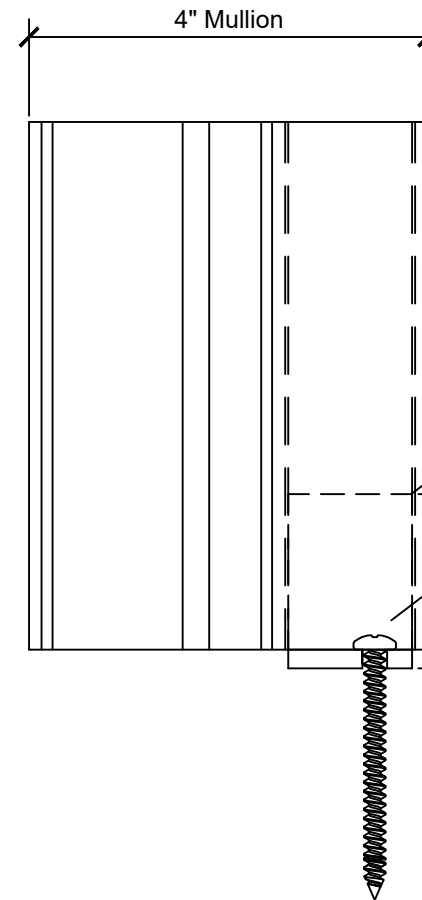
Plan View w/  
windows



Plan View

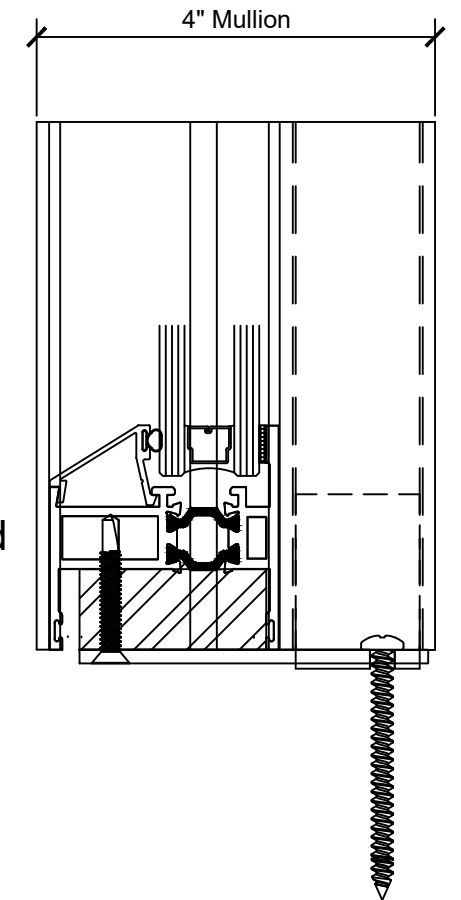


Vertical Section



4" mullion anchor  
#12 x 2 1/2" pan head  
sheet metal screw

Vertical Section w/  
window



\*\* Apply sealant between mullion at window/door frames during assembly. Run (2) 3/8" dia. beads of sealant one towards exterior and one towards interior of mullion. Clean off excess sealant that squeezes out \*\*

**Mullion Anchor Clips:** Mullion Anchor Clips are supplied loose and pre-drilled with a 1/4" clearance hole. Insert them into the hollow cavity of the 4" or 5" mullion and attach to structure with #12 x 2 1/2" pan head sheet metal screws. Minimum of 2" embedment.

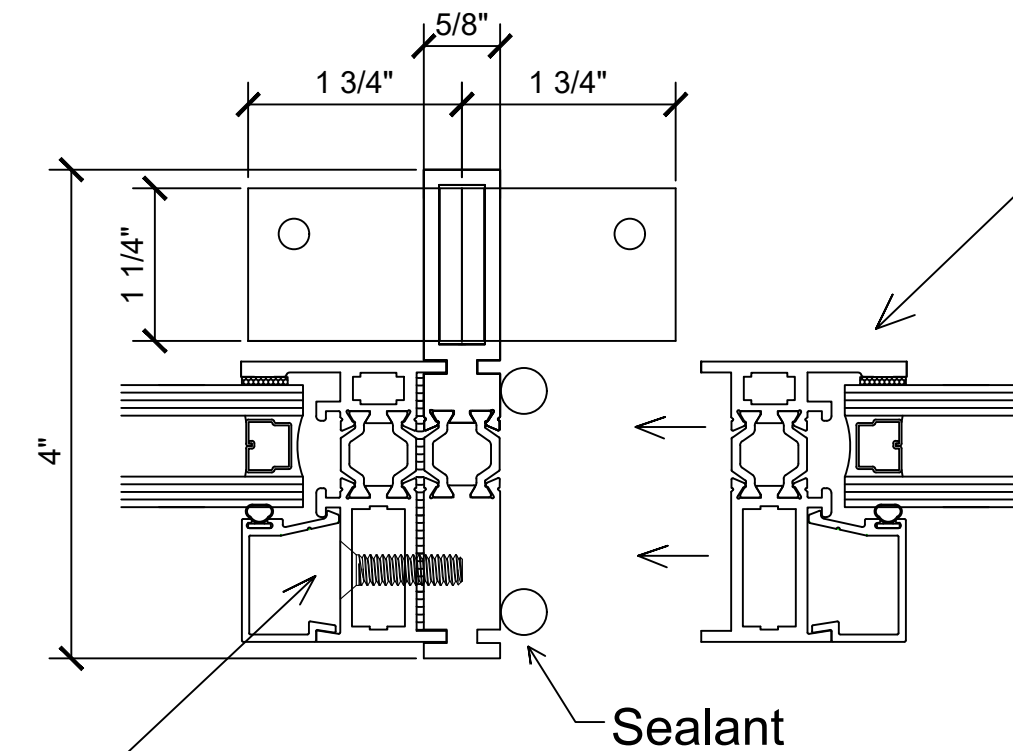
CUSTOMERS REVIEW:	
APPROVED FOR FABRICATION, NO EXCEPTIONS TAKEN.	BY: _____ DATE: _____
APPROVED FOR FABRICATION, AS NOTED.	BY: _____ DATE: _____
PLEASE REVISE & RESUBMIT, DO NOT FABRICATE.	BY: _____ DATE: _____

REV.:	DESCRIPTION:	DATE:
△	.	.

JOB NAME:	CUSTOMER:	TITLE:	PRODUCT:	DRAWING #:
FINISH:	DRAWN BY:	SCALE: NONE	DATE:	SHEET: 1 OF 8

Field Mull Assembly:

**\*\* Field mull. Clean mullion surface with rubbing alcohol and clean rag. Apply (2) 3/8" beads of sealant to mullion. Also, apply a 3/8" bead joining the other beads at both ends of the mullion. Wipe off excess sealant that may squeeze out. Dow Corning 791 Silicone is recommended \*\***



**\*\* Factory Sealed & Assembled \*\***

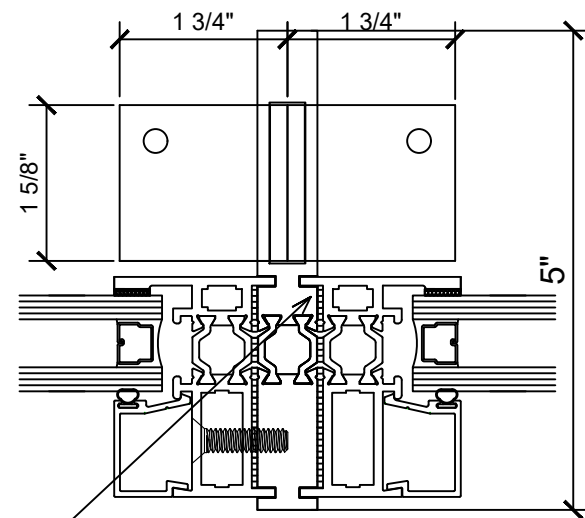
CUSTOMERS REVIEW:	
APPROVED FOR FABRICATION, NO EXCEPTIONS TAKEN.	BY: _____ DATE : _____
APPROVED FOR FABRICATION, AS NOTED.	BY: _____ DATE : _____
PLEASE REVISE & RESUBMIT, DO NOT FABRICATE.	BY: _____ DATE : _____

REV.:	DESCRIPTION:	DATE:
△	.	.

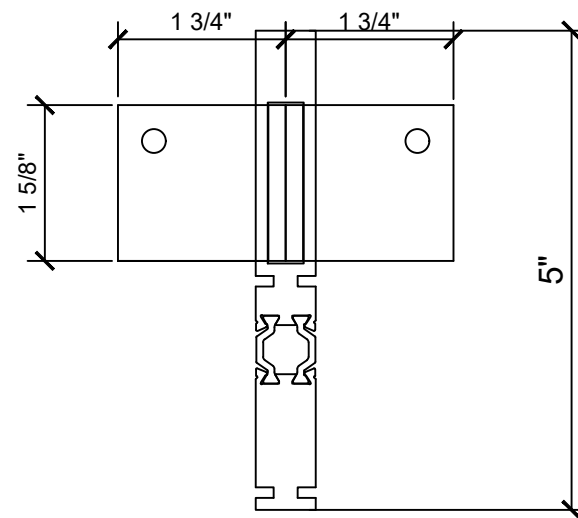
JOB NAME:	CUSTOMER:	TITLE:	PRODUCT:	DRAWING #:
FINISH:	DRAWN BY:	SCALE: NONE	DATE:	SHEET: 2 OF 8

### 5" Mullion Anchor Detail

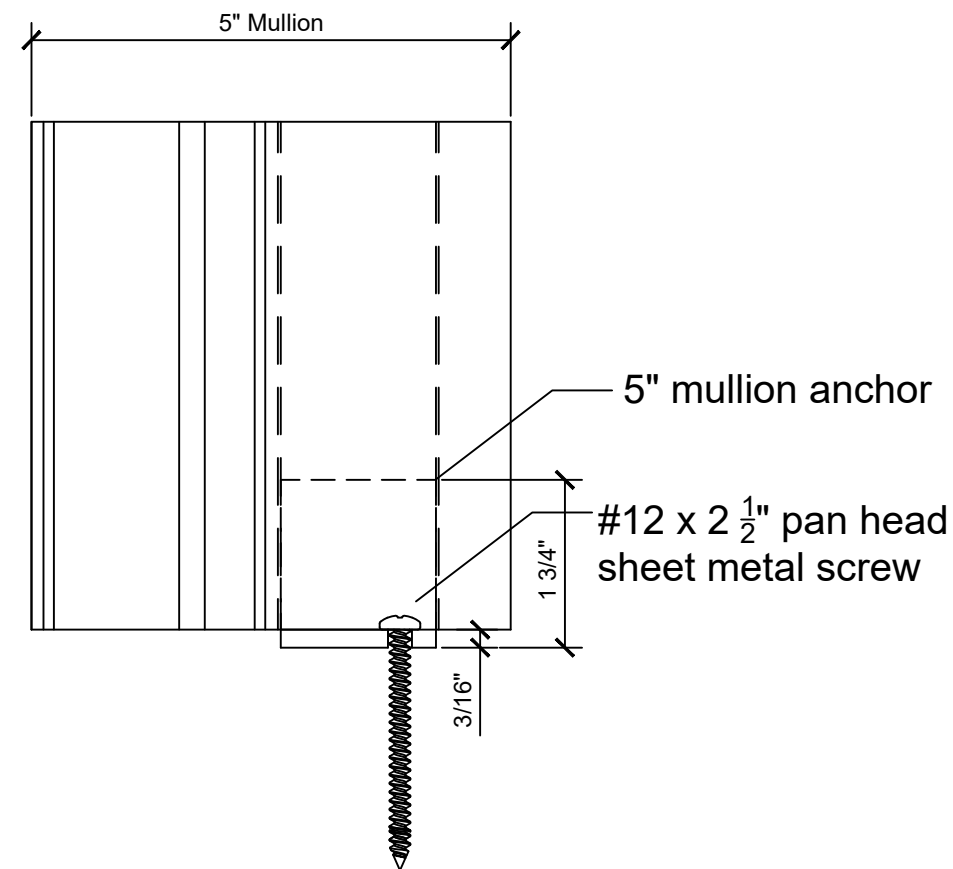
Plan View w/  
windows



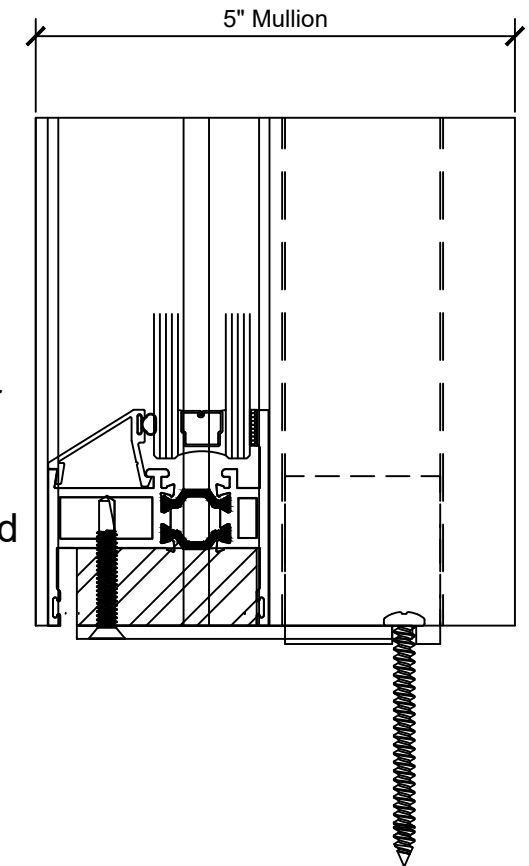
Plan View



Vertical Section



Vertical Section w/  
window



**\*\* Apply sealant between mullion at window/door frames during assembly. Run (2) 3/8" dia. beads of sealant one towards exterior and one towards interior of mullion. Clean off excess sealant that squeezes out \*\***

**Mullion Anchor Clips:** Mullion Anchor Clips are supplied loose and pre-drilled with a  $\frac{1}{4}$ " clearance hole. Insert them into the hollow cavity of the 4" or 5" mullion and attach to structure with #12 x 2  $\frac{1}{2}$ " pan head sheet metal screws. Minimum of 2" embedment.

CUSTOMERS REVIEW:

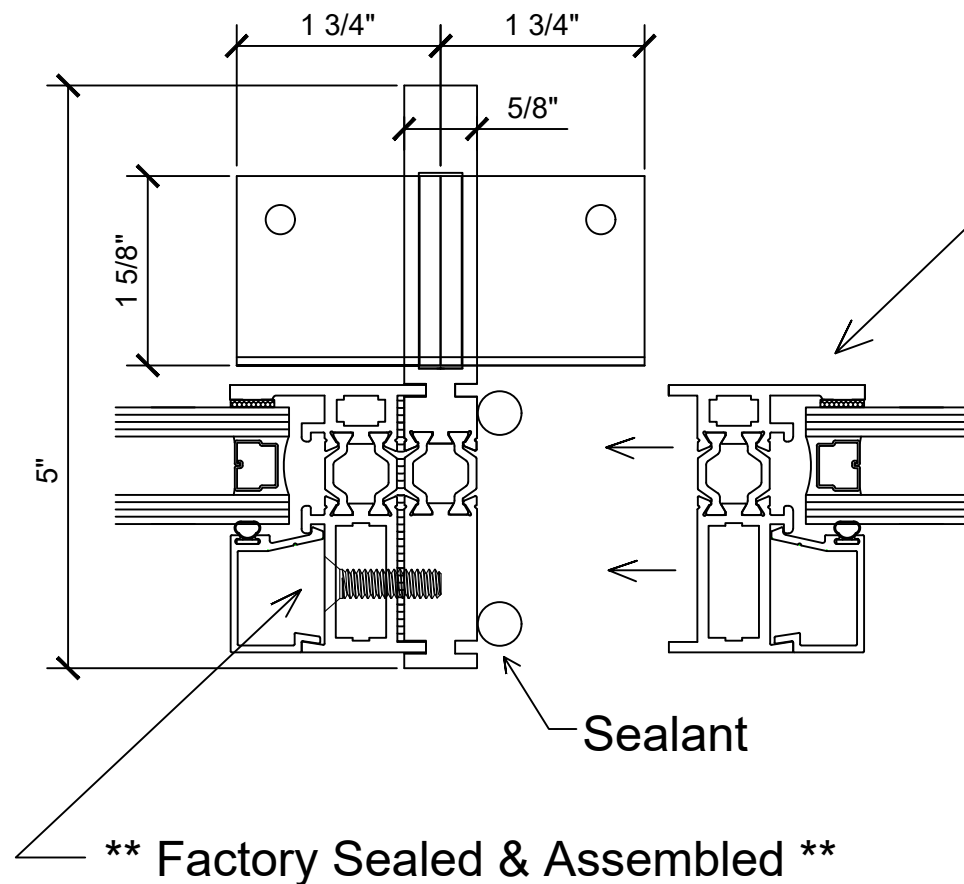
APPROVED FOR FABRICATION, NO EXCEPTIONS TAKEN.  
BY: \_\_\_\_\_ DATE : \_\_\_\_\_  
PLEASE REVISE & RESUBMIT, DO NOT FABRICATE.  
BY: \_\_\_\_\_ DATE : \_\_\_\_\_

REV.:	DESCRIPTION:	DATE:
△	.	.

JOB NAME:	CUSTOMER:	TITLE:	PRODUCT:	DRAWING #:
FINISH:	DRAWN BY:	SCALE: NONE	DATE:	SHEET: 3 OF 8

Field Mull Assembly:

**\*\* Field mull. Clean mullion surface with rubbing alcohol and clean rag. Apply (2) 3/8" beads of sealant to mullion. Also, apply a 3/8" bead joining the other beads at both ends of the mullion. Wipe off excess sealant that may squeeze out. Dow Corning 791 Silicone is recommended \*\***



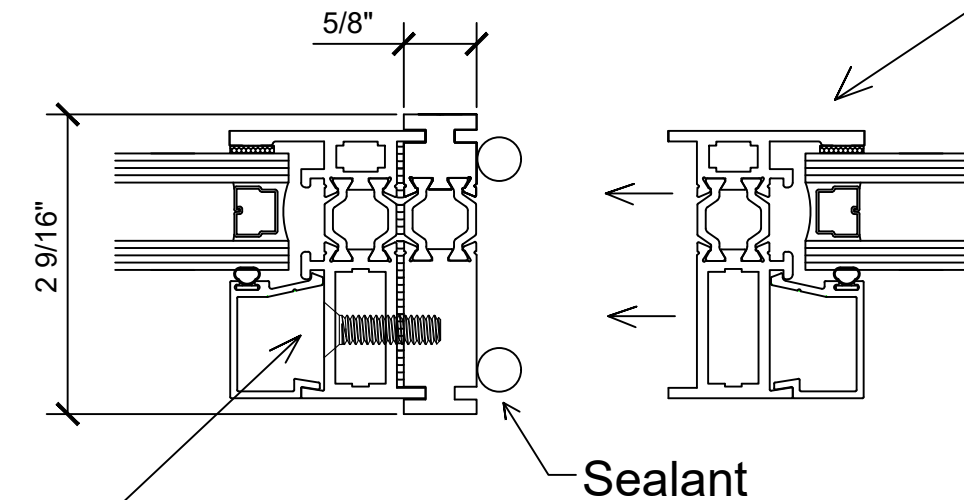
CUSTOMERS REVIEW:  
APPROVED FOR FABRICATION, NO EXCEPTIONS TAKEN.  
BY: \_\_\_\_\_ DATE : \_\_\_\_\_  
PLEASE REVISE & RESUBMIT, DO NOT FABRICATE.  
BY: \_\_\_\_\_ DATE : \_\_\_\_\_

REV.:	DESCRIPTION:	DATE:
△	.	.

JOB NAME:	CUSTOMER:	TITLE:	PRODUCT:	DRAWING #:
FINISH:	DRAWN BY: MANDIE WHITESIDE	SCALE: NONE	DATE:	SHEET: 4 OF 8

Field Mull Assembly:

\*\* Field mull. Clean mullion surface with rubbing alcohol and clean rag. Apply (2) 3/8" beads of sealant to mullion. Also, apply a 3/8" bead joining the other beads at both ends of the mullion. Wipe off excess sealant that may squeeze out. Dow Corning 791 Silicone is recommended \*\*

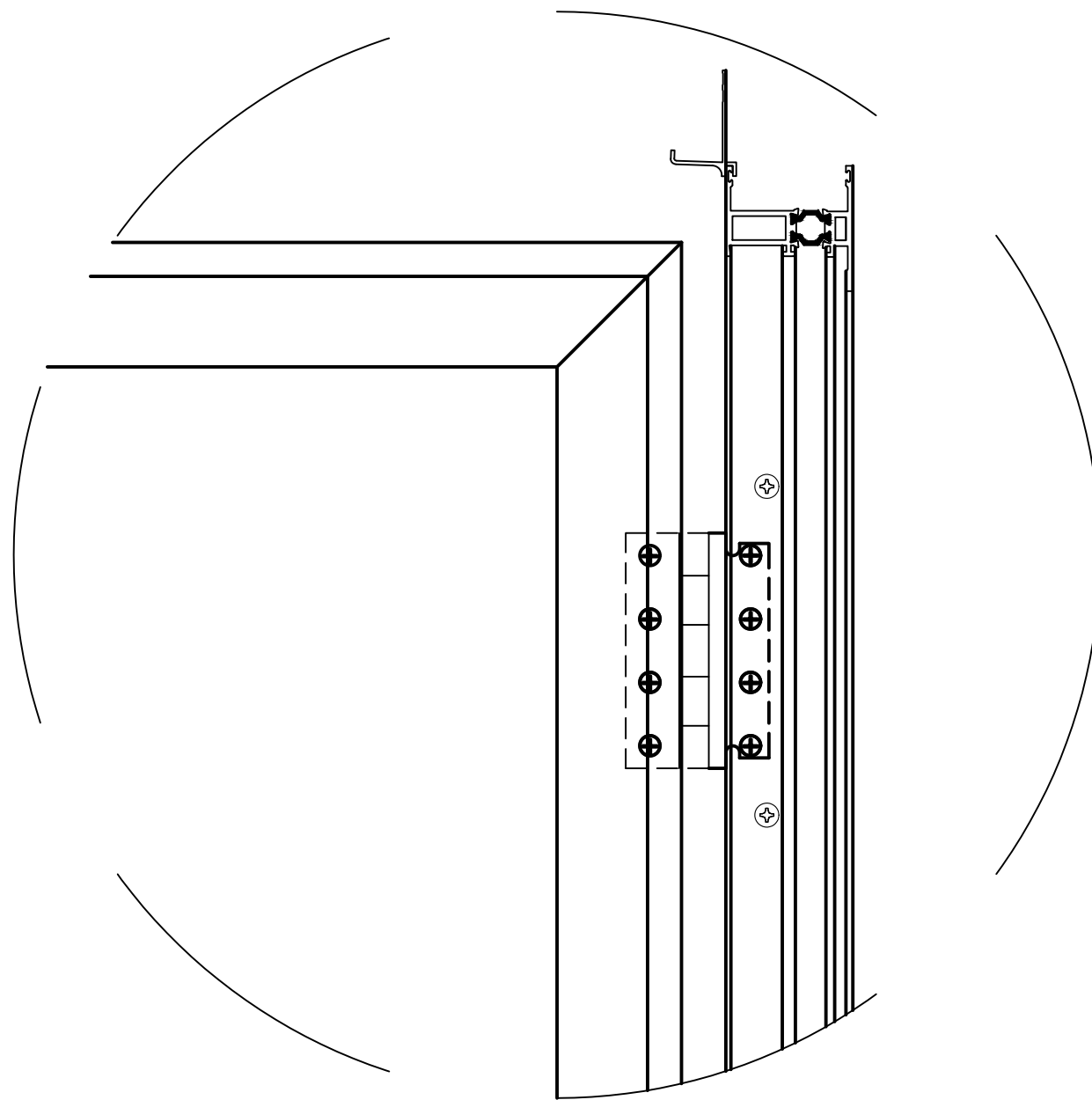


CUSTOMERS REVIEW:  
APPROVED FOR FABRICATION, NO EXCEPTIONS TAKEN.  
BY: \_\_\_\_\_ DATE : \_\_\_\_\_  
PLEASE REVISE & RESUBMIT, DO NOT FABRICATE.  
BY: \_\_\_\_\_ DATE : \_\_\_\_\_

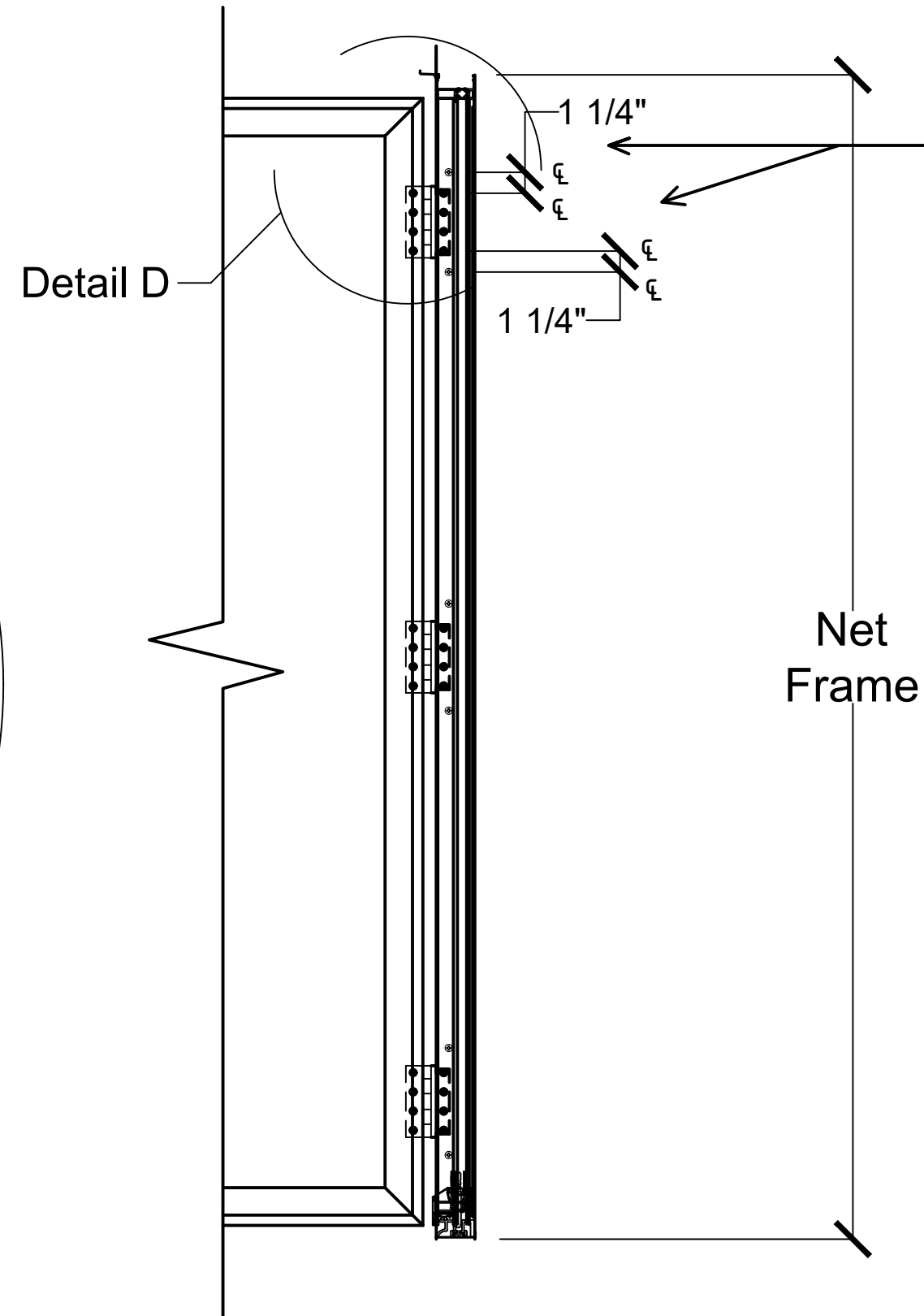
REV.:	DESCRIPTION:	DATE:
△	.	.

JOB NAME:	CUSTOMER:	TITLE:	PRODUCT:	DRAWING #:
FINISH:	DRAWN BY:	SCALE: NONE	DATE:	SHEET: 5 OF 8

T225 Door Direct Anchor  
Hinge Detail



Detail D



Direct Anchor at hinges (2) per hinge, through pre-drilled holes using #12x3" pan head sheet metal screws. Installer must shim door frame securely at every anchor screw

Net Frame

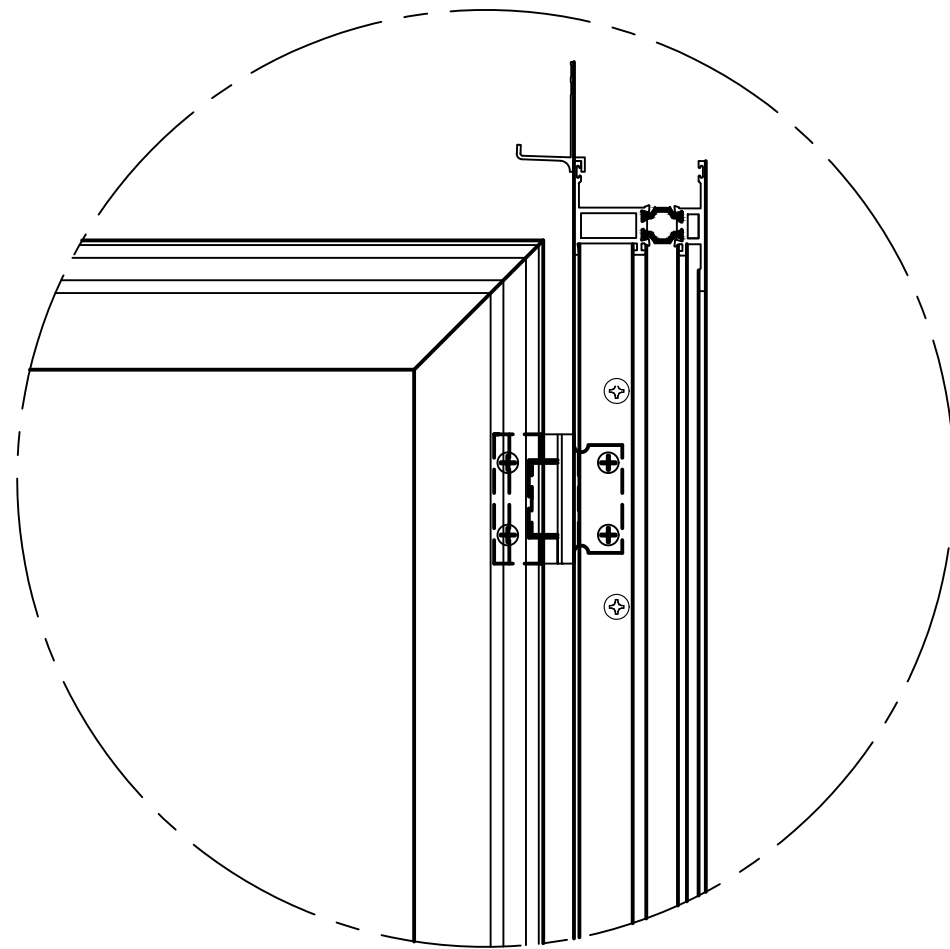
Add Additional Fasteners as Required, Fastener Spacing Should Not Exceed 18" on center

CUSTOMERS REVIEW:	
APPROVED FOR FABRICATION, NO EXCEPTIONS TAKEN.	BY: _____ DATE : _____
APPROVED FOR FABRICATION, AS NOTED.	BY: _____ DATE : _____
PLEASE REVISE & RESUBMIT, DO NOT FABRICATE.	BY: _____ DATE : _____

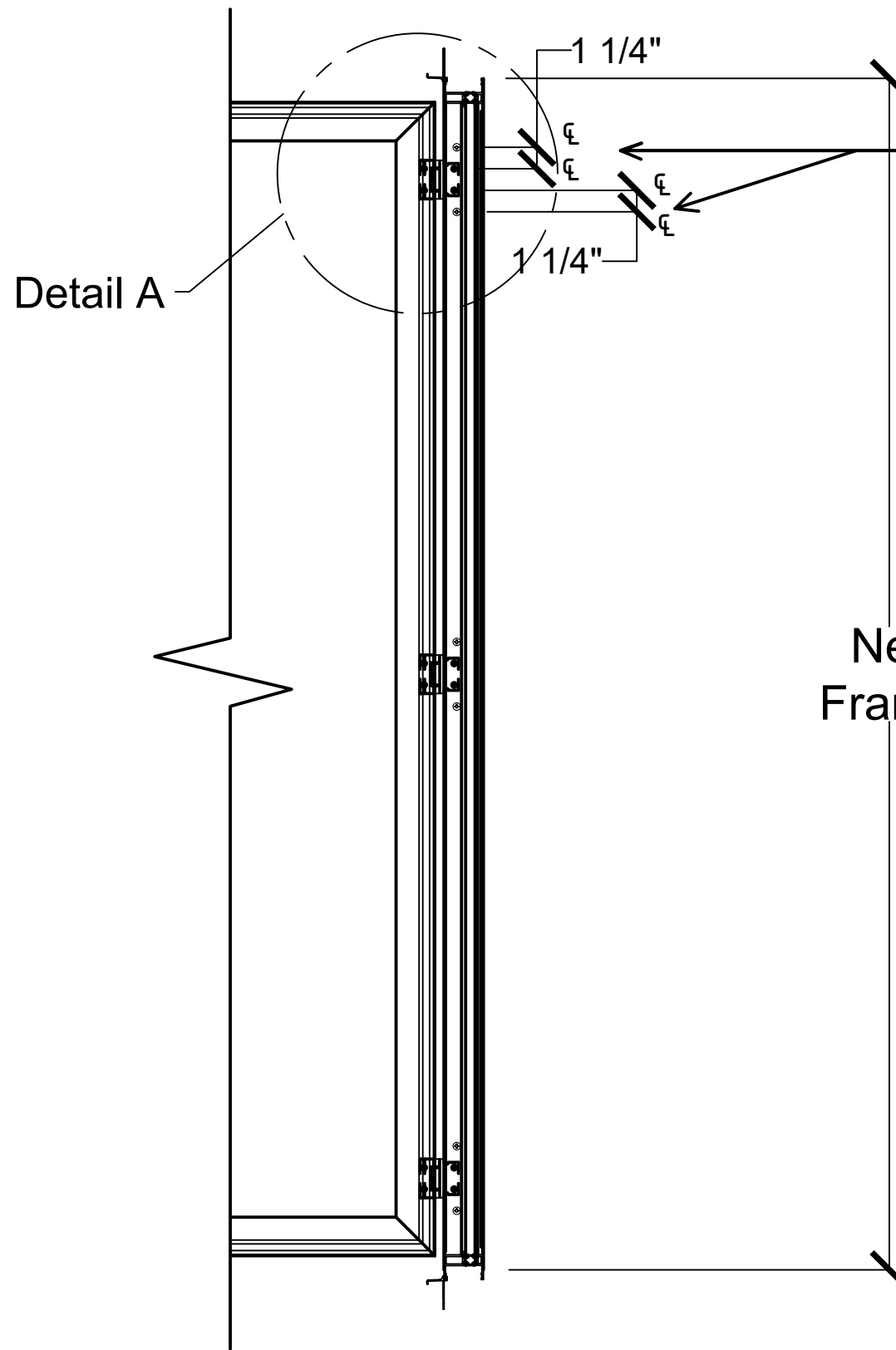
REV.:	DESCRIPTION:	DATE:
△	.	.

JOB NAME:	CUSTOMER:	TITLE:	PRODUCT:	DRAWING #:
FINISH:	DRAWN BY:	SCALE: NONE	DATE:	SHEET: 6 OF 8

T225 Window Direct  
Anchor Hinge Detail



Detail A



Direct Anchor at hinges  
(2) per hinge, through  
pre-drilled holes using  
#12x3" pan head sheet  
metal screws. Installer  
must shim door frame  
securely at every anchor  
screw

Net  
Frame  
Add Additional  
Fasteners as  
Required, Fastener  
Spacing Should Not  
Exceed 18" on center

CUSTOMERS REVIEW:

APPROVED FOR FABRICATION, NO EXCEPTIONS TAKEN.	
BY: _____	DATE : _____
APPROVED FOR FABRICATION, AS NOTED.	
BY: _____	DATE : _____
PLEASE REVISE & RESUBMIT, DO NOT FABRICATE.	
BY: _____	DATE : _____

REV.:	DESCRIPTION:	DATE:
△	.	.

JOB NAME:	CUSTOMER:	TITLE:	PRODUCT:	DRAWING #:
FINISH:	DRAWN BY:	SCALE: NONE	DATE:	SHEET: 7 OF 8

**ANCHOR STRAPS:**

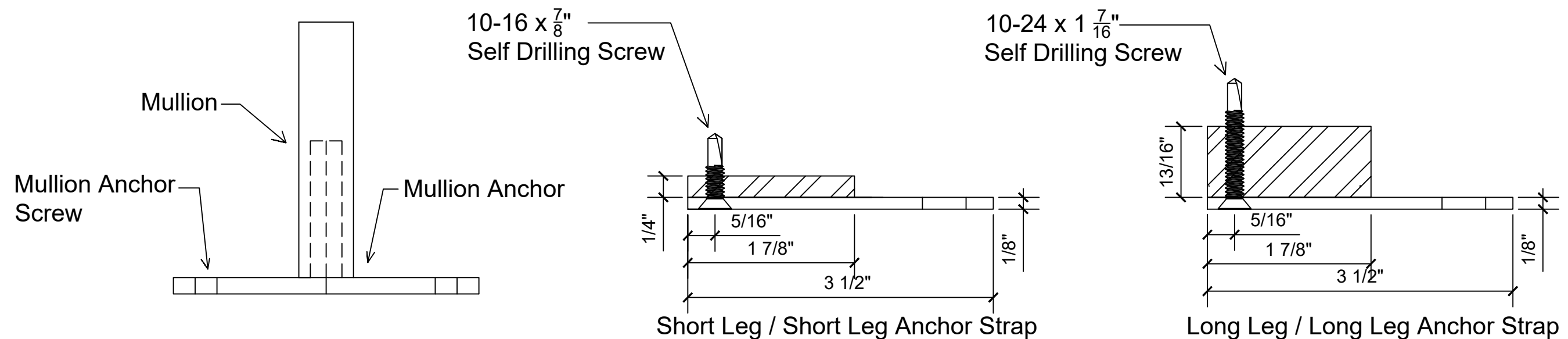
**Anchor Straps** are provided loose in (2) sizes. The frame type of your window or door system will determine which anchor strap size is required for your installation.

The short leg / short leg frame will use the 1/4" thick rubber block with the aluminum strap and the long leg / long leg will use the 13/16" thickness rubber block.

See drawing for proper location into the frame. Anchor strap placement is indicated in the shop drawings. In general, anchor straps are placed 6" from each corner and approximately 18" on center.

Install the anchor clips by referring to your shop drawings for placement. Then taking a rubber block, an aluminum strap, and a self drilling screw provided. Place the rubber block and the aluminum strap as shown in the anchor strap drawing. Take the self drilling screw and a screw gun, run the screw thru the countersunk hole in the aluminum strap down thru the rubber block and into the window frame.

**Mullion Anchor Clips** are supplied loose and pre-drilled with a 1/4" clearance hole. Insert them into the hollow cavity of the 4" or 5" mullion and attach to structure with #12 x 2 1/2" pan head sheet metal screws. Minimum of 2" embedment.



JOB NAME:	CUSTOMER:	TITLE:	PRODUCT:	DRAWING #:
FINISH:	DRAWN BY:	SCALE: NONE	DATE:	SHEET: 8 OF 8